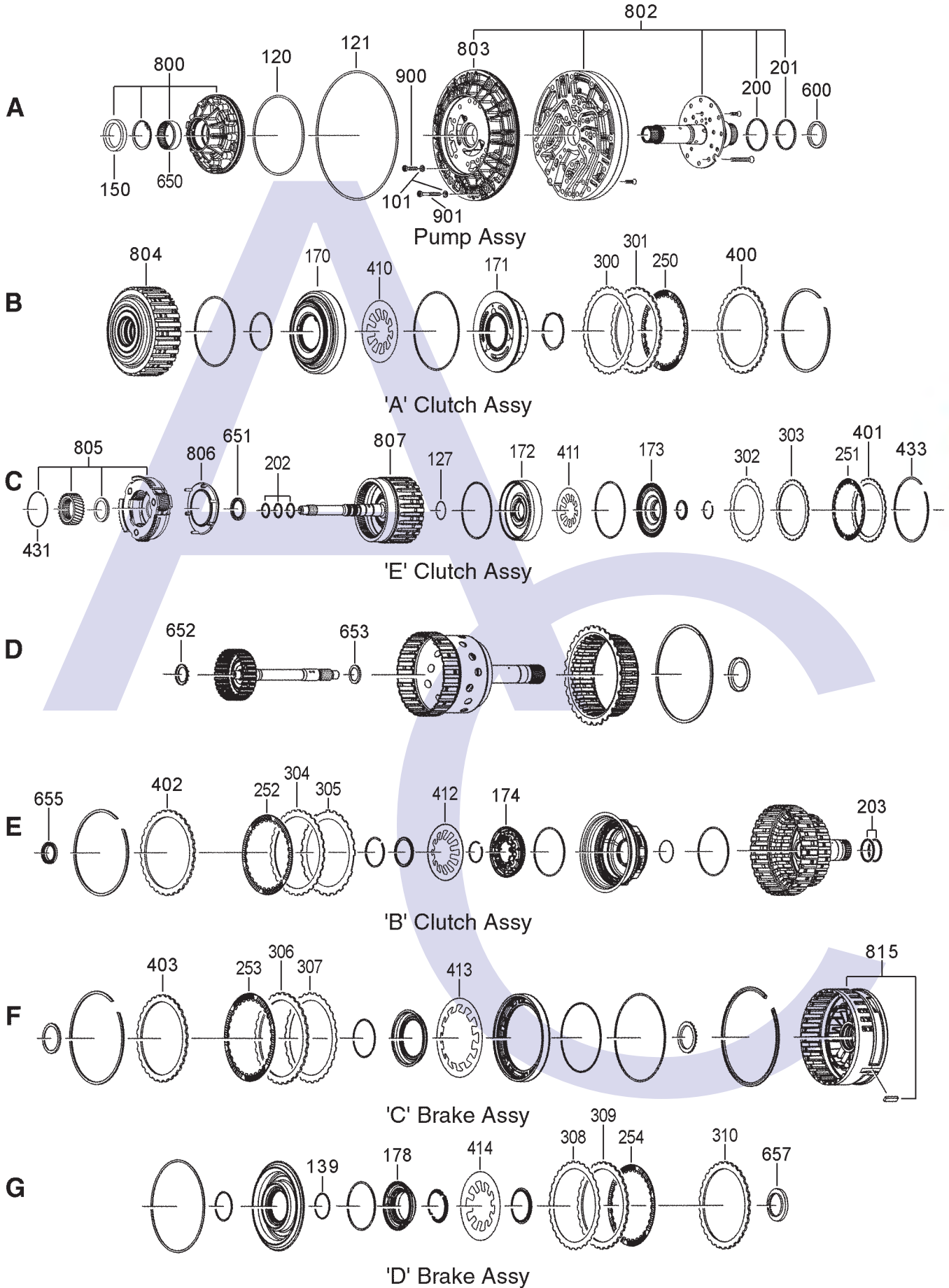




AUTOMATIC CHOICE



THE AUTOMATIC TRANSMISSION PARTS WAREHOUSE



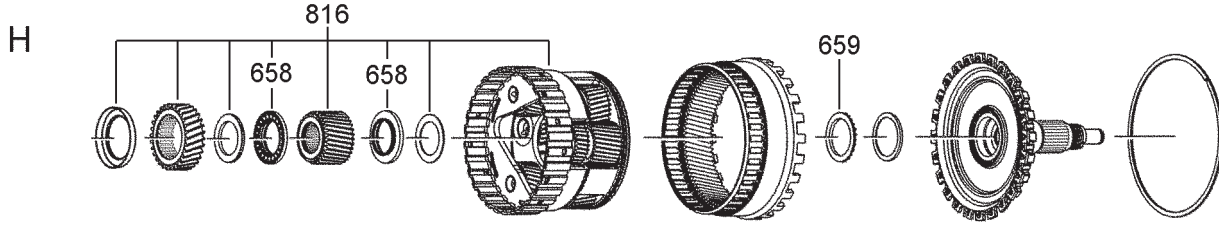
ZF 6HP26 1068 010 xxx, ZF 6HP26X 1068 020 xxx ZF6HP28 1068 040 xxx
 & ZF6HP28X 1068 050 xxx
6 SPEED RWD (Full Electronic Control)



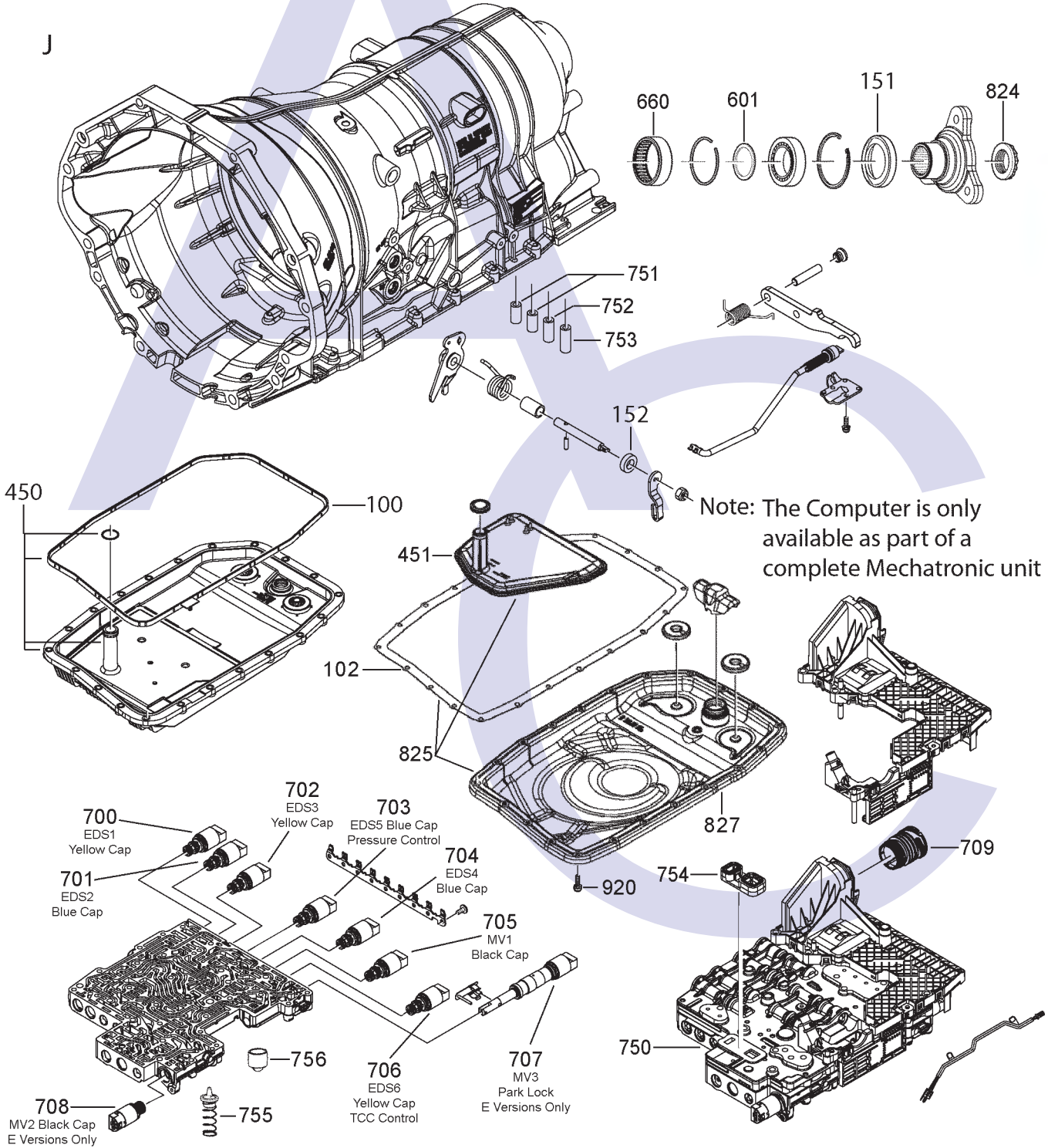
AUTOMATIC CHOICE



THE AUTOMATIC TRANSMISSION PARTS WAREHOUSE



Rear Planetay Assembly



ZF 6HP26 1068 010 xxx, ZF 6HP26X 1068 020 xxx ZF6HP28 1068 040 xxx & ZF6HP28X 1068 050 xxx 6 SPEED RWD (Full Electronic Control)



AUTOMATIC CHOICE

ILL NO.	DESCRIPTION	YEARS	QTY	PART NO
KITS				
Kit	Overhaul Kit (OEM).....	01-ON	1	6HP26.OHK01
Kit	Overhaul Kit (Transtec).....	01-ON	1	6HP26.OHK02
Kit	Fluid Service Kit (Inc Fluid).....	01-ON	1	6HP26.SERKIT
GASKETS				
100J	Oil Pan 6HP26 (Except Codes 1068 010 082, 122, 134, 151, 181, 190, 197, 201, 203-208) (OEM)	01-ON	1	6HP26.GAS01
100J	Oil Pan 6HP26X (Except Codes 1068 020 011, 014, 018, 039, 061, 068, 072, 074) (OEM)	01-ON	1	6HP26.GAS01
101A	Pump Bolt Sealing Washer	01-ON	14	5HP18.GAS04
102J	Oil Pan Paper 6HP26 (Codes: 1068 010 082, 122, 134, 151, 181, 190, 197, 201, 203-208) (OEM)	01-ON	1	6HP26.GAS02
	(AM)	01-ON	1	6HP26.GAS52
102J	Oil Pan Paper 6HP26X (Codes: 1068 020 011, 014, 018, 039, 061, 068, 072, 074) (OEM)	01-ON	1	6HP26.GAS02
	(AM)	01-ON	1	6HP26.GAS52
RUBBER COMPONENTS				
120A	'O' Ring, Pump to Stator	01-ON	1	4HP24.OR01
121A	'O' Ring, Stator to Case	01-ON	1	5HP18.OR02
127C	'O' Ring, 'E' Clutch Piston (Inner)	01-ON	1	5HP24.OR03
139G	'O' Ring, 'D' Damper Inner	01-ON	1	6HP19.OR02
METAL CLAD SEALS				
150A	Front Pump	01-ON	1	6HP26.MCS01
151J	Extension Housing 6HP26	01-ON	1	6HP26.MCS02
151J	Extension Housing 6HP26/28X	01-ON	1	6HP26.MCS03
151J	Extension Housing 6HP26X (Fits Code 1068 020 033 Only)	01-ON	1	6HP26.MCS02
152J	Selector Shaft Seal (10mm x 18mm x 5mm)	01-ON	1	3HP22.MCS03
MOULDED PISTONS				
170B	'A' Clutch (6HP26) (Fits Codes 1068 010 014, 015, 030, 032, 033, 034, 035, 036, 038, 039, 043, 045, 046, 048, 050, 057, 059, 060, 061, 063, 065, 066, 070, 073)	01-ON	1	6HP26.PIS01
170B	'A' Clutch (6HP26) (Fits Codes 1068 010 051, 052, 067, 074, 075, 077, 079, 081, 084, 085, 086, 087, 088, 091, 093, 097, 098, 100, 102, 103, 104, 105, 175)	01-ON	1	6HP26.PIS03
170B	'A' Clutch (6HP26X) (Fits Codes 1068 020 002, 003, 005, 018, 019, 020, 021)	01-ON	1	6HP26.PIS03
171B	'A' Clutch Damper Piston (6HP26) (Fits Codes 1068 010 014, 015, 026, 029, 030, 031, 032, 033, 034, 035, 036, 037038, 039, 040, 043, 044, 045, 046, 048, 050, 057, 059, 060, 061, 063, 064, 065, 066, 070, 071, 073)	01-ON	1	6HP26.PIS02
171B	'A' Clutch Damper Piston (6HP26) (Fits Codes 1068 010 051, 052, 053, 067, 069, 074, 075, 076, 077, 078, 079, 081, 083, 084, 085, 086, 087, 088, 090, 091, 092, 093, 094, 095, 096, 097, 098, 100, 101, 102, 103, 104, 105, 175)	01-ON	1	6HP26.PIS04

ILL NO.	DESCRIPTION	YEARS	QTY	PART NO
MOULDED PISTONS Cont...				
171B	'A' Clutch Damper Piston (6HP26X) (Fits Codes 1068 020 002, 003, 004, 005, 011, 018, 019, 020, 021, 026, 033)	01-ON	1	6HP26.PIS04
172C	'E' Clutch (6HP26) (Fits Codes 1068 010 030, 032, 033, 036, 038, 039, 043, 045, 046, 063, 065, 066, 070, 073, 075, 077, 079, 081, 085, 086, 100, 102, 103, 104, 105)	01-ON	1	6HP26.PIS05
172C	'E' Clutch (6HP26X) (Fits Codes 1068 020 002, 003, 005, 019, 020, 021)	01-ON	1	6HP26.PIS05
173C	'E' Clutch Damper Piston	01-ON	1	6HP26.PIS06
174E	'B' Clutch Damper Piston	01-ON	1	6HP26.PIS07
178G	'D' Brake Damper Piston	01-ON	1	6HP26.PIS08
SEALING RINGS				
200A	Pump Stator (Front)	01-ON	1	6HP26.SSR01
201A	Pump Stator (Rear)	01-ON	1	6HP26.SSR02
202C	Input Shaft ('E' Clutch)	01-ON	3	5HP19.SSR03
203E	'B' Clutch Drum	01-ON	2	6HP26.SSR03
FRICITION PLATES				
Kit	Friction Plate (OEM) (6HP26) (Codes 1068 010 026, 028, 029, 030, 031, 032, 033, 034, 035, 036, 037, 038, 039, 043, 044, 045, 046, 051, 052, 053, 054, 057, 059, 062, 063, 064, 065, 066, 067, 069, 070, 071, 073, 074, 075, 076, 077, 078, 079, 082, 083, 084, 085, 086, 091, 092, 093, 094, 095, 096, 097, 098, 100, 101, 102, 103, 104, 105, 106, 113, 114, 115, 116, 117, 118, 119, 128, 129, 138, 160, 179)	01-ON	1	6HP26.FRK01
Kit	Friction Plate (OEM) (6HP26) (Codes 1068 010 122, 130, 135, 136, 137, 161, 162, 163, 164, 165, 175, 176, 177, 178, 181, 184, 185, 190, 197, 203, 204, 205, 206)	01-ON	1	6HP26.FRK02
Kit	Friction Plate (OEM) (6HP26) (Codes 1068 010 134, 151, 153, 154, 155, 166, 167, 168, 169, 170, 171, 172, 173, 174, 182, 183)	01-ON	1	6HP26.FRK03
Kit	Friction Plate (OEM) (6HP26X) (Codes 1068 020 002, 003, 004, 011, 014, 018, 020, 027, 029, 030, 033, 034, 035, 036, 037, 038, 043, 044, 045, 046, 047, 051, 054, 057, 064, 065, 066, 076)	01-ON	1	6HP26.FRK01
Kit	Friction Plate (OEM) (6HP26X) (Codes 1068 020 052, 053, 055, 058, 059, 068, 069, 070, 071, 072, 074, 075, 078)	01-ON	1	6HP26.FRK02
Kit	Friction Plate (OEM) (6HP26X) (Codes 1068 020 060, 061)	01-ON	1	6HP26.FRK03
Kit	Friction Plate (OEM) (6HP28) (Codes 1068 040 001, 002, 008, 009, 010, 011, 014, 015, 016)	01-ON	1	6HP26.FRK03
Kit	Friction Plate (OEM) (6HP28X) (Codes 1068 050 001, 002, 003, 004, 007, 008, 009, 010, 011, 012, 013 014, 015,)	01-ON	1	6HP26.FRK03
250B	'A' Clutch (6HP26)	01-ON	4-5	6HP26.FRP01
250B	'A' Clutch (6HP26X) (Except Codes: 1068 020 039, 060, 061)	01-ON	4-5	6HP26.FRP01



THE AUTOMATIC TRANSMISSION PARTS WAREHOUSE

ZF 6HP26 1068 010 xxx, ZF 6HP26X 1068 020 xxx ZF6HP28 1068 040 xxx & ZF6HP28X 1068 050 xxx 6 SPEED RWD (Full Electronic Control)



AUTOMATIC CHOICE



THE AUTOMATIC TRANSMISSION PARTS WAREHOUSE

ILL NO.	DESCRIPTION	YEARS	QTY	PART NO
FRICITION PLATES Cont...				
250B	'A' Clutch (6HP26X) (Codes: 1068 020 039, 060, 061)	01-ON	4-5	6HP26.FRP07
250B	'A' Clutch (6HP28 & 6HP28X) ...	01-ON	4-5	6HP26.FRP07
251C	'E' Clutch	01-ON	6	6HP26.FRP06
252E	'B' Clutch	01-ON	4-5	6HP26.FRP03
253F	'C' Brake	01-ON	4-5	6HP26.FRP03
254G	'D' Brake (6HP26)	01-ON	6-7	6HP26.FRP01
254G	'D' Brake (6HP26X) (Except Codes 1068 020 039, 060, 061)	01-ON	6-7	6HP26.FRP01
254G	'D' Brake (6HP26X) (Codes 1068 020 039, 060, 061)	01-ON	6-7	6HP26.FRP07
254G	'D' Brake (6HP28 & 6HP28X) ...	01-ON	6-7	6HP26.FRP07
STEEL PLATES				
Kit	Steel Plate (OEM) (6HP26) (Codes 1068 010 014, 015, 026, 029, 030, 031, 032, 033, 034, 035, 036, 037, 038, 039, 043, 044, 045, 046, 051, 052, 053, 057, 059, 063, 064, 065, 066, 067, 069, 070, 071, 073, 074, 075, 076, 077, 078, 079, 084, 085, 086, 091, 093, 094, 095, 096, 097, 098, 100, 101, 102, 103, 104, 105, 111, 112, 113, 114, 115, 116, 117, 118, 119, 120, 121, 122, 123, 124, 126, 128, 129, 130, 131, 135, 136, 137, 138, 148, 150, 153, 154, 155, 160, 161, 162, 163, 164, 165, 166, 167, 169, 170, 172, 174, 175, 176, 177, 178, 179, 181, 182, 184, 190, 197, 203, 204, 205, 206)	01-ON	1	6HP26.STK01
Kit	Steel Plate (OEM) (6HP26) (Codes 1068 010 028, 054, 062, 082, 083, 092, 106, 125, 127, 134, 151, 152, 168, 171, 173, 183, 185)	01-ON	1	6HP26.STK02
Kit	Steel Plate (OEM) (6HP26X) (Codes 1068 020 002, 003, 004, 011, 014, 018, 020, 027, 029, 030, 033, 034, 035, 036, 037, 038, 039, 043, 044, 045, 046, 047, 051, 052, 053, 054, 057, 061, 064, 065, 066, 068, 069, 072, 074, 076)	01-ON	1	6HP26.STK01
Kit	Steel Plate (OEM) (6HP26X) (Codes 1068 020 055, 070, 071, 075, 078)	01-ON	1	6HP26.STK02
Kit	Steel Plate (OEM) (6HP28) (Codes 1068 040 002, 008, 011, 015)	01-ON	1	6HP26.STK01
Kit	Steel Plate (OEM) (6HP28) (Codes 1068 040 001, 009, 010, 014, 016)	01-ON	1	6HP26.STK02
Kit	Steel Plate (OEM) (6HP28X) (Codes 1068 050 003, 004, 008, 010, 011, 014, 015)	01-ON	1	6HP26.STK01
Kit	Steel Plate (OEM) (6HP28X) (Codes 1068 050 001, 002, 007, 009, 012, 013)	01-ON	1	6HP26.STK02
300B	Waved Steel 'A' Clutch (6HP26) (Fits Codes 1068 010 047, 051, 052, 053, 054, 067, 069, 074, 075, 076, 077, 078, 079, 081, 082, 083, 084, 085, 086, 087, 088, 089, 090, 091, 092, 093, 094, 095, 096, 097, 098, 100, 101, 102, 103, 104, 105, 106, 175)	01-ON	1	6HP26.STP11
300B	Waved Steel 'A' Clutch (6HP26) (Fits Codes 1068 010 014, 015, 026, 027, 028, 029, 030, 031, 032, 033, 034, 035, 036, 037, 038, 039, 040, 043, 044, 045, 046, 048, 050, 057, 059, 060, 061, 063, 064, 065, 066, 070, 071, 073)	01-ON	1	6HP26.STP06
300B	Waved Steel 'A' Clutch (6HP26X)	01-ON	1	6HP26.STP11

ILL NO.	DESCRIPTION	YEARS	QTY	PART NO
STEEL PLATES Cont...				
301B	'A' Clutch Steel (3.00mm)	01-ON	4-5	6HP26.STP01
302C	Waved Steel 'E' Clutch (6HP26) (Fits Codes 1068 010 014, 015, 026, 027, 029, 030, 031, 032, 033, 034, 035, 036, 037, 038, 039, 040, 043, 044, 045, 046, 047, 048, 050, 051, 052, 053, 057, 059, 060, 061, 063, 064, 065, 066, 067, 069, 070, 071, 073, 075, 075, 076, 077, 078, 079, 081, 084, 085, 086, 087, 088, 090, 091, 094, 095, 096, 097, 098, 100, 101, 102, 103, 104, 105)	01-ON	1	6HP26.STP07
302C	Waved Steel 'E' Clutch (6HP26X)	01-ON	1	6HP26.STP07
303C	'E' Clutch Steel 6HP26 (2.40mm) (Fits Codes: 1068 010 028, 054, 062, 082, 083, 092, 106, 125, 127, 134, 151, 152, 168, 171, 173, 183, 185, 193, 208, 214, 215)	01-ON	7	6HP26.STP04
303C	'E' Clutch Steel 6HP26X (2.40mm) (Fits Codes: 1068 020 055, 070, 075, 078, 084, 088)	01-ON	7	6HP26.STP04
303C	'E' Clutch Steel 6HP28 (2.40mm) (Fits Codes: 1068 040 009, 010, 012-014, 016, 018, 024)	01-ON	7	6HP26.STP04
303C	'E' Clutch Steel 6HP28X (2.40mm) (Fits Codes: 1068 050 001, 002, 009, 012, 013, 016, 019-021)	01-ON	7	6HP26.STP04
303C	'E' Clutch Steel 6HP26 (3.00mm) (Fits Codes: 1068 010 014, 015, 026, 027, 029-039, 043-046, 051-053, 057, 059-061, 063-067, 069-071, 073-079, 084-086, 091, 093-098, 100-105, 111-124, 126, 128-131, 135-138, 148, 150, 153-155, 160-167, 169, 170, 172, 174-178, 181, 182, 189, 190, 192, 194, 197, 198, 201-207, 209, 210)	01-ON	6	6HP26.STP02
303C	'E' Clutch Steel 6HP26X (3.00mm) (Fits Codes: 1068 020 002-004, 011, 014, 018, 020, 027, 029, 030, 033-039, 043-047, 051-054, 058-061, 064-066, 068, 069, 072, 074, 076, 080, 081, 086, 087)	01-ON	6	6HP26.STP02
303C	'E' Clutch Steel 6HP28 (3.00mm) (Fits Codes: 1068 040 002, 008, 011, 015, 021, 023)	01-ON	6	6HP26.STP02
303C	'E' Clutch Steel 6HP28X (3.00mm) (Fits Codes: 1068 050 003, 004, 008, 010, 011, 014, 015, 018)	01-ON	6	6HP26.STP02
304E	'B' Clutch Steel (2.10mm)	01-ON	4-5	6HP26.STP03
305E	Wavy Steel 'B' Clutch (6HP26) (Fits Codes 1068 010 014, 015, 026, 027, 028, 029, 030, 031, 032, 033, 034, 035, 036, 037, 038, 039, 040, 043, 044, 045, 046, 048, 050, 057, 059, 060, 061, 062, 063, 064, 065, 066, 070, 071, 073)	01-ON	1	6HP26.STP08
305E	Wavy Steel 'B' Clutch (6HP26) (Fits Codes 1068 010 047, 051, 052, 053, 054, 067, 069, 074, 075, 076, 077, 078, 079, 081, 082, 083, 084, 085, 086, 087, 088, 089, 090, 091, 092, 093, 094, 095, 096, 097, 098, 100, 101, 102, 103, 104, 105, 106, 175)	01-ON	1	6HP26.STP11
305E	Waved Steel 'B' Clutch (6HP26X)	01-ON	1	6HP26.STP11
306F	'C' Brake Steel (3.00mm)	01-ON	4-5	6HP26.STP01
307F	Waved Steel 'C' Brake	01-ON	1	6HP26.STP08
308G	Waved Steel 'D' Brake (6HP26) (Fits Codes 1068 010 047, 051, 052, 053, 054, 067, 069, 074, 075, 076, 077, 078, 079, 081, 082, 083, 084, 085, 086, 087, 088, 089, 090, 091, 092, 093, 094, 095, 096, 097, 098, 100, 101, 102, 103, 104, 105, 106, 175)	01-ON	1	6HP26.STP11

ZF 6HP26 1068 010 xxx, ZF 6HP26X 1068 020 xxx ZF6HP28 1068 040 xxx & ZF6HP28X 1068 050 xxx 6 SPEED RWD (Full Electronic Control)



AUTOMATIC CHOICE

ILL NO.	DESCRIPTION	YEARS	QTY	PART NO
STEEL PLATES Cont...				
308G	Waved Steel 'D' Brake (6HP26) (Fits Codes 1068 010 014, 015, 026, 027, 028, 029, 030, 031, 032, 033, 034, 035, 036, 037, 038, 039, 040, 043, 044, 045, 046, 048, 050, 057, 059, 060, 061, 062, 063, 064, 065, 066, 070, 071, 073)	01-ON	1	6HP26.STP06
308G	Waved Steel 'D' Brake (6HP26X)	01-ON	1	6HP26.STP11
309G	'D' Brake Steel (2.10mm)	01-ON	6-7	6HP26.STP03
310G	End Steel 'D' Brake (Selective) (2.10mm Thick)	01-ON	1	6HP26.STP03
	(3.00mm Thick)	01-ON	1	6HP26.STP01
PRESSURE PLATES				
400B	'A' Clutch	01-ON	1	6HP26.PP04
401C	'E' Clutch	01-ON	1	6HP26.PP02
402E	'B' Clutch	01-ON	1	6HP26.PP03
403F	'C' Brake (3.90mm)	01-ON	1	6HP26.PP01
SPRINGS & CIRCLIPS				
410B	Diaphragm 'A' Clutch	01-ON	1	6HP26.DIA01
411C	Diaphragm 'E' Clutch	01-ON	1	6HP26.DIA02
412E	Diaphragm 'B' Clutch	01-ON	1	6HP26.DIA03
413F	Diaphragm 'C' Brake	01-ON	1	6HP26.DIA05
414G	Diaphragm 'D' Brake	01-ON	1	6HP26.DIA04
431C	Snap Ring, Front Planet to 'A' Clutch Drum	01-ON	1	6HP26.RET01
433C	Circlip, 'E' Clutch Retaining (1.80mm)	01-ON	AR	5HP24.CIR04
	(2.00mm)	01-ON	AR	5HP24.CIR05
	(2.20mm)	01-ON	AR	5HP24.CIR06
	(2.40mm)	01-ON	AR	5HP24.CIR07
	(2.60mm)	01-ON	AR	5HP24.CIR08
	(2.80mm)	01-ON	AR	5HP24.CIR16
	(3.00mm)	01-ON	AR	5HP24.CIR01
	(3.20mm)	01-ON	AR	5HP24.CIR10
	(3.40mm)	01-ON	AR	5HP24.CIR11
	(3.60mm)	01-ON	AR	5HP24.CIR12
FILTERS				
450J	Filter Kit, Incudes Oil Pan & Gasket 6HP26 (Except Codes 1068 010 082, 122, 134, 151, 181, 190, 197, 203, 204, 205, 206 (OEM) 01-ON 1 6HP26.PAN01 (Aftermarket) 01-ON 1 6HP26.PAN11	01-ON	1	6HP26.PAN01
451J	Filter, 6HP26 (Fits Codes 1068 010 082, 122, 134, 151, 181, 190, 197, 203, 204, 205, 206) (OEM) 01-ON 1 6HP26.FIL02 (Aftermarket) 01-ON 1 6HP26.FIL12	01-ON	1	6HP26.FIL02
450J	Filter Kit, Incudes Oil Pan & Gasket 6HP26X (See Note † below) (Fits Codes 1068 020 002, 003, 004, 005, 006, 019, 020, 021, 026, 033) (OEM) 01-ON 1 6HP26.PAN01 (Aftermarket) 01-ON 1 6HP26.PAN11	01-ON	1	6HP26.PAN01
451J	Filter, 6HP26X (Fits Codes 1068 020 011, 014, 018, 039, 061, 068, 072, 074) (OEM) 01-ON 1 6HP26.FIL02 (Aftermarket) 01-ON 1 6HP26.FIL12	01-ON	1	6HP26.FIL02

ILL NO.	DESCRIPTION	YEARS	QTY	PART NO
FILTERS Cont...				
451J	Filter, 6HP28 (Fits Codes 1068 040 016) (OEM) 01-ON 1 6HP26.FIL02 (Aftermarket) 01-ON 1 6HP26.FIL12	01-ON	1	6HP26.FIL02
<p>Note †: The Land Rover Discovery III & IV with ZF 6HP26X has plastic pan with integral filter, this vehicle has a cross member preventing removal and replacement of the original type pan in service. This problem can be overcome in the following way, the original pan can be removed if you break off the plastic spout, the plastic pan can then be replaced with the metal pan and filter kit item 825J part No. 6HP26.PAN02.</p>				
BUSHINGS				
Kit	Bushing Kit Bronze (6HP26/X)	01-ON	1	6HP26.BK01
NI	Stator (Front)	01-ON	1	6HP26.BUS02
NI	Stator (Rear Options) (29mm x 26mm x 15.90mm)	01-ON	1	6HP26.BUS03
	(31mm x 28mm x 16.50mm)	01-ON	1	6HP26.BUS05
	(33mm x 30mm x 18.80mm)	01-ON	1	6HP26.BUS04
THRUST WASHERS & BEARINGS				
600A	Shim, Selective (Rear of Pump) (2.60mm Thick) 01-ON AR 6HP26.SHIM01 (2.80mm Thick) 01-ON AR 6HP26.SHIM02 (3.00mm Thick) 01-ON AR 6HP26.SHIM03 (3.20mm Thick) 01-ON AR 6HP26.SHIM04 (3.40mm Thick) 01-ON AR 6HP26.SHIM05 (3.60mm Thick) 01-ON AR 6HP26.SHIM06 (3.80mm Thick) 01-ON AR 6HP26.SHIM07 (4.00mm Thick) 01-ON AR 6HP26.SHIM08 (4.20mm Thick) 01-ON AR 6HP26.SHIM09 (4.40mm Thick) 01-ON AR 6HP26.SHIM10 (4.60mm Thick) 01-ON AR 6HP26.SHIM11 (4.80mm Thick) 01-ON AR 6HP26.SHIM12	01-ON	AR	6HP26.SHIM01
601J	Shim, Selective (Output Shaft) (1.00mm Thick) 01-ON AR 6HP26.SHIM22 (1.20mm Thick) 01-ON AR 6HP26.SHIM13 (1.40mm Thick) 01-ON AR 6HP26.SHIM14 (1.60mm Thick) 01-ON AR 6HP26.SHIM15 (1.80mm Thick) 01-ON AR 6HP26.SHIM16 (2.00mm Thick) 01-ON AR 6HP26.SHIM17 (2.20mm Thick) 01-ON AR 6HP26.SHIM18 (2.40mm Thick) 01-ON AR 6HP26.SHIM19 (2.60mm Thick) 01-ON AR 6HP26.SHIM20 (2.80mm Thick) 01-ON AR 6HP26.SHIM21	01-ON	AR	6HP26.SHIM22
650A	Needle Bearing (Front Pump) 01-ON 1 6HP26.BE01	01-ON	1	6HP26.BE01
651C	Radial Bearing, 'E' Clutch to Front Planetary 01-ON 1 6HP26.TOR01	01-ON	1	6HP26.TOR01
652D	Radial Bearing, 'E' Clutch to Intermediate Shaft 01-ON 1 6HP26.TOR02	01-ON	1	6HP26.TOR02
653D	Radial Bearing, Sun Gear Shaft to Intermediate Shaft 01-ON 1 6HP26.TOR01	01-ON	1	6HP26.TOR01
655E	Radial Bearing, 'B' Clutch to Sun Gear Shaft 01-ON 1 6HP26.TOR03	01-ON	1	6HP26.TOR03
657G	Radial Bearing, (D' Brake to Rear Sun Gear) 01-ON 1 6HP26.TOR05	01-ON	1	6HP26.TOR05
658H	Radial Bearing, Rear Planetary 01-ON 2 6HP26.TOR04	01-ON	2	6HP26.TOR04
659H	Radial Bearing, (Rear Planet to O. Shaft) 01-ON 1 6HP26.TOR06	01-ON	1	6HP26.TOR06
660J	Needle Bearing, Output Shaft 01-ON 1 6HP26.BE02	01-ON	1	6HP26.BE02



THE AUTOMATIC TRANSMISSION PARTS WAREHOUSE

ZF 6HP26 1068 010 xxx, ZF 6HP26X 1068 020 xxx ZF6HP28 1068 040 xxx & ZF6HP28X 1068 050 xxx 6 SPEED RWD (Full Electronic Control)



AUTOMATIC CHOICE



THE AUTOMATIC TRANSMISSION PARTS WAREHOUSE

ILL NO.	DESCRIPTION	YEARS	QTY	PART NO
ELECTRICAL COMPONENTS				
700J	EDS1 Solenoid (PWM) (Yellow Cap).....	01-ON	1	6HP26.SOL03
701J	EDS2 Solenoid (PWM) (Blue Cap).....	01-ON	1	6HP26.SOL04
702J	EDS3 Solenoid (PWM) (Yellow Cap).....	01-ON	1	6HP26.SOL03
703J	EDS5 Solenoid (PWM) (Pressure Control Blue Cap).....	01-ON	1	6HP26.SOL04
704J	EDS4 Solenoid (PWM) (Blue Cap).....	01-ON	1	6HP26.SOL04
705J	MV1 Solenoid (On/Off) (Black Cap).....	01-ON	1	6HP26.SOL02
706J	EDS6 Solenoid (PWM) (TCC Control Yellow Cap).....	01-ON	1	6HP26.SOL03
707J	MV3 Solenoid (On/Off) (Park Lock, E Versions Only)....	01-ON	1	6HP26.SOL05
708J	MV2 Solenoid (On/Off) (Black Cap, E Versions Only)....	01-ON	1	6HP26.SOL02
709J	Case Connector.....	01-ON	1	6HP26.ELE01
VALVE BODY PARTS				
Kit	Valve Body End Plug Kit	All	1	6HP26.VA02
750J	Valve Body Assy (Mechatronic) Exchange (Box Code Required)	01-ON	1	6HP26.VBxx
751J	Sealing Sleeve, Valve Body to Case.....	01-ON	2	6HP26.TU01
752J	Sealing Sleeve, Valve Body to Case.....	01-ON	1	6HP26.TU02
753J	Sealing Sleeve, Valve Body to Case.....	01-ON	1	6HP26.TU03
754J	Valve Body to Case (Rubber Spacer Gasket)	01-ON	1	6HP26.TU04
755J	Spring & Cap Assy (Return Valve for Clutches & Retaining Valve for Converter Pressure) All	All	2	6HP26.VA01
756J	Damper Piston	All	6	5HP19.ACC02
NI	Bonded Rubber Intermediate Plate for Mechatronic Unit / Valve Body (A & B052 Bonded to Plate) (6HP26 / 26X / 28 / 28X).....	01-ON	1	6HP26.SP01
	(A & B035 Bonded to Plate) (6HP26).....	01-ON	1	6HP26.SP02
	(A & B051 Bonded to Plate) (6HP26 / 26X / 28 / 28X).....	01-ON	1	6HP26.SP03
	(A & B047 Bonded to Plate) (6HP26 / 26X)	01-ON	1	6HP26.SP04
	(A & B053 Bonded to Plate) (6HP26 / 26X)	01-ON	1	6HP26.SP05
	(A & B063 Bonded to Plate) (6HP28, 6HP28X)	01-ON	1	6HP21.SP01
	(A & B065 Bonded to Plate) (6HP28, 6HP28X)	01-ON	1	6HP21.SP02
Kit	Pressure Regulator Valve (Oversize) Requires Toolkit 6HP19.VA02 & AG4.VA05 Universal Fixture (Sonnax® Click here for Info) .	01-ON	1	6HP19.VA01
Kit	Toolkit for 6HP19.VA01 (Sonnax®).....	01-ON	1	6HP19.VA02
Kit	Sleeve, Pressure Regulator Valve (Sonnax® Click here for Info) .	01-ON	1	6HP19.VA03
Kit	Valve Body End Plug (13mm & 17mm) (Sonnax® Click here for Info) .	01-ON	1	6HP19.VA04
Kit	Valve Body End Plug (12mm) (Sonnax® Click here for Info) .	01-ON	1	6HP19.VA05

ILL NO.	DESCRIPTION	YEARS	QTY	PART NO
VALVE BODY PARTS Cont...				
Kit	Boost Valve & Sleeve (Sonnax® Click here for Info) .	01-ON	1	6HP19.VA06
Kit	Accumulator Pistons & Springs (Sonnax® Click here for Info) .	01-ON	1	6HP19.VA07
Kit	Lubrication Control Valve (Oversize) Requires Toolkit 6HP19.VA09 & AG4.VA05 Universal Fixture (Sonnax® Click here for Info) .	01-ON	1	6HP19.VA08
Kit	Toolkit for 6HP19.VA08 (Sonnax®).....	01-ON	1	6HP19.VA09
Kit	Solenoid Pressure Regulator Valve (Oversize) Requires Toolkit 6HP19.VA11 & AG4.VA05 Universal Fixture (Sonnax® Click here for Info) .	01-ON	1	6HP19.VA10
Kit	Toolkit for 6HP19.VA10 (Sonnax®).....	01-ON	1	6HP19.VA11
Kit	Converter Release Regulator Valve (Oversize) Requires Toolkit 6HP19.VA14 & AG4.VA05 Universal Fixture (Sonnax® Click here for Info) .	01-ON	1	6HP19.VA13
Kit	Toolkit for 6HP19.VA13 (Sonnax®).....	01-ON	1	6HP19.VA14
Kit	Bypass Clutch Control Valve (Oversize) Requires Toolkit 6HP19.VA16 & AG4.VA05 Universal Fixture (Sonnax® Click here for Info) .	01-ON	1	6HP19.VA15
Kit	Toolkit for 6HP19.VA15 (Sonnax®).....	01-ON	1	6HP19.VA16
Kit	'D1'/E' Clutch Control Valve (Oversize) Requires Toolkit 6HP19.VA12 & AG4.VA05 Universal Fixture (Sonnax® Click here for Info) .	01-ON	1	6HP19.VA17
Kit	'A' Clutch Control Valve (Oversize) Requires Toolkit 6HP19.VA12 & AG4.VA05 Universal Fixture (Sonnax® Click here for Info) .	01-ON	1	6HP19.VA18
Kit	Toolkit for 6HP19.VA17 & VA18 (Sonnax®).....	01-ON	1	6HP19.VA12
Kit	Valve Body Correction Package (Sonnax® ZIP KIT) (Click here for Info)	All	1	6HP19.ZIP01
Kit	Valve Body Parts (Contains Accumulator Rubbers, Check Balls, Check Valves and Filters for the Valve Body).....	All	1	6HP26.GK01
Click here for complete Sonnax® Valve Body Diagram				
HARD PARTS				
800A	Short Pump Assy (6HP26) (Code 1068 010 086, 091, 094, 095, 096, 111, 112, 122, 190, 197, 201).....	01-ON	1	6HP26.PUM01
800A	Short Pump Assy (6HP26) (Code 1068 010 054, 062, 082, 083, 092, 106, 125, 127, 134, 151, 152, 168, 171, 173, 183)	01-ON	1	6HP26.PUM05
800A	Short Pump Assy (6HP26) (Ford Falcon Only Code 1068 010 175)	01-ON	1	6HP26.PUM03
800A	Short Pump Assy (6HP28) (Code 1068 040 001, 002, 010, 011, 014, 015, 021, 023)	01-ON	1	6HP26.PUM01
800A	Short Pump Assy (6HP28) (Code 1068 040 016).....	01-ON	1	6HP26.PUM05

ZF 6HP26 1068 010 xxx, ZF 6HP26X 1068 020 xxx ZF6HP28 1068 040 xxx & ZF6HP28X 1068 050 xxx 6 SPEED RWD (Full Electronic Control)



AUTOMATIC CHOICE



THE AUTOMATIC TRANSMISSION PARTS WAREHOUSE

ILL NO.	DESCRIPTION	YEARS	QTY	PART NO
HARD PARTS Cont...				
800A	Short Pump Assy (6HP28X) (Code 1068 050 002, 003, 004, 008, 010, 011, 012, 013, 014, 015, 018, 021)	01-ON	1	6HP26.PUM01
802A	Stator Assembly (6HP26) (Codes: 1068 010 014, 015, 026-039, 043-046, 051-054, 057, 059-067, 069-071, 073-079, 083, 085, 100-104)	01-ON	1	6HP26.PUM06
802A	Stator Assembly (6HP26) (Codes: 1068 010 105, 120, 123, 126, 128, 131, 137, 148, 150, 153, 154, 161, 166, 169, 170, 172, 174, 182, 189, 198, 201, 209, 210, 214, 215)	01-ON	1	6HP26.PUM07
802A	Stator Assembly (6HP26X) (Codes: 1068 020 002, 003, 004)	01-ON	1	6HP26.PUM06
802A	Stator Assembly (6HP26X) (Codes: 1068 020 036, 039, 045, 053, 055, 061, 075, 080, 081, 086, 087)	01-ON	1	6HP26.PUM07
803A	Centering Plate	01-ON	1	6HP26.PUM04
804B	'A' Clutch Drum (6HP26)	01-ON	1	6HP26.DRU05
804B	'A' Clutch Drum (6HP26X)	01-ON	1	6HP26.DRU05
804B	'A' Clutch Drum (6HP28) (Codes: 1068 040 001, 002, 008-018, 021, 023, 024)	07-ON	1	6HP26.DRU05
804B	'A' Clutch Drum (6HP28X) (Codes: 1068 042 001-004, 008-016, 018-021)	07-ON	1	6HP26.DRU05
805C	Front Planetary Kit 6HP26 (Except Codes: 1068 010 027, 028, 054, 062, 074, 082, 084, 106, 120, 121, 127, 129, 134, 138, 151, 171, 172, 181, 182)	01-ON	1	6HP26.PLK01
805C	Front Planetary Kit 6HP26 (Fits Codes: 1068 010 027, 028, 054, 062, 074, 082, 084, 106, 120, 121, 127, 129, 134, 138, 151, 171, 172, 181, 182)	01-ON	1	6HP26.PLK03
805C	Front Planetary Kit 6HP26X (Except Codes: 1068 020 030, 038, 046, 047, 054, 055, 057, 066, 068, 070, 071, 074, 075)	01-ON	1	6HP26.PLK01
805C	Front Planetary Kit 6HP26X (Fits Codes: 1068 020 030, 038, 046, 047, 054, 055, 057, 066, 068, 070, 071, 074, 075)	01-ON	1	6HP26.PLK03
806C	Oil Dam, Front Planetary	01-ON	1	6HP26.DAM01
807C	'E' Clutch Drum & Input Shaft (6 Plate Unit)	01-ON	1	6HP26.DRU01
807C	'E' Clutch Drum & Input Shaft (7 Plate Unit)	01-ON	1	6HP26.DRU02
815F	Drum, 'C' & 'D' Brake (6HP26, 6HP26X)	01-ON	1	6HP26.DRU04
816H	Rear Planetary Kit	01-ON	1	6HP26.PLK02
824J	Nut, Output Shaft	01-ON	1	6HP26.NUT03
825J	Metal Oil Pan Kit (6HP26X, BMW X3/X5) (Kit contains steel pan, paper pan gasket, filter & set of pan bolts) (Fits Codes: 1068 020 011, 014, 018, 039, 061, 072)	01-ON	1	6HP26.PAN02
827J	Steel Sump Pan	01-ON	1	6HP26.PAN03
SPECIAL ITEMS				
900A	Pump Bolt (M6 x 20mm)	01-ON	1	4HP20.NUT03
901A	Bolt, Pump to Case W/Washer	All	13	6HP19.NUT01
920J	Pan Bolt Steel Pan (6HP26) (Codes: 1068 010 122, 181, 190, 197, 201, 203-208)	01-ON	21	6HP26.NUT02

ILL NO.	DESCRIPTION	YEARS	QTY	PART NO
SPECIAL ITEMS Cont...				
920J	Pan Bolt Steel Pan (6HP26X) (Codes: 1068 020 011, 014, 018, 039, 061, 068, 072, 074)	01-ON	21	6HP26.NUT02
NI	LifeGuardFluid6 Transmission Fluid (Shell M-1375.4) (1 x 1 Ltr Bottle) All AR OIL.53 (1 x 20 Ltr Canister) All AR OIL.54 (1 x 209 Ltr Barrel) All AR OIL.55			
NI	LifeGuardFluid1 (Additive for 6HP26 Only) Use only to cure squawking on 3-4 shift, should be added to LifeGuardFluid6 only in accordance with the ZF technical note below: ZF Technical Note. All transmissions built on line one with a serial number above 520000 as well as those built on line 2 with a serial number above serial number 4100000 have the later type friction plates fitted and should not be treated with this additive. This Additive should only to be used if squawk is an issue on transmissions with serial number below the cut off numbers listed above. It must only be used once in a transmission, the excetion to this rule is if the transmission has had a complete fluid change.			
			1	OIL.64
TOOLS & MANUALS				
NI	Repair Manual (OEM On CD) ...	01-ON		6HP26.MAN01
Click here to view special tools for this transmission				