

# ZF 4HP18 Transmission Code: 1050 000 xxx

## 4 SPEED FWD (Hydraulic Control)

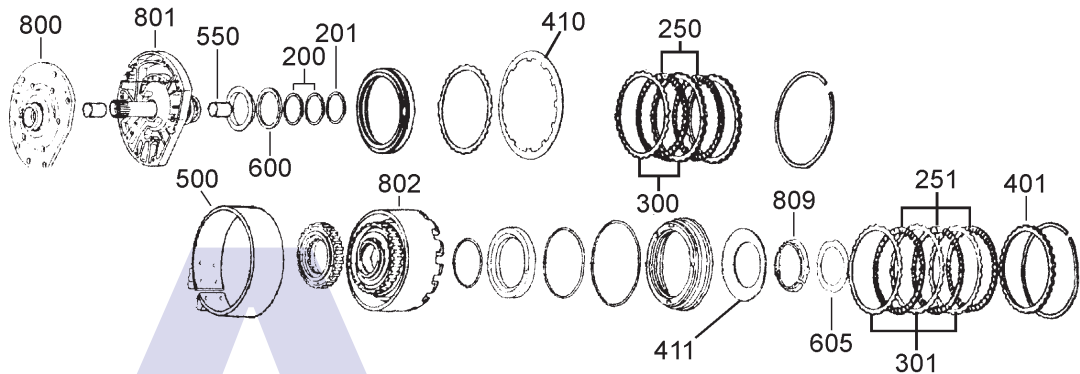


AUTOMATIC CHOICE



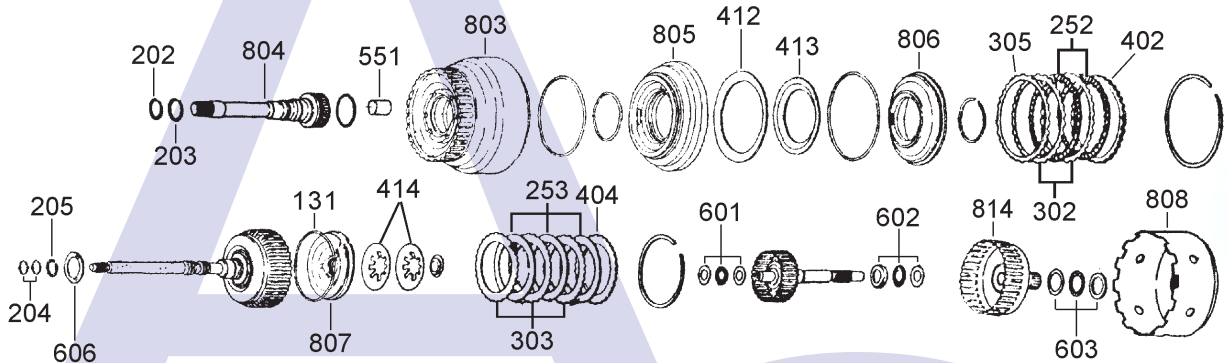
THE AUTOMATIC TRANSMISSION PARTS WAREHOUSE

**A**



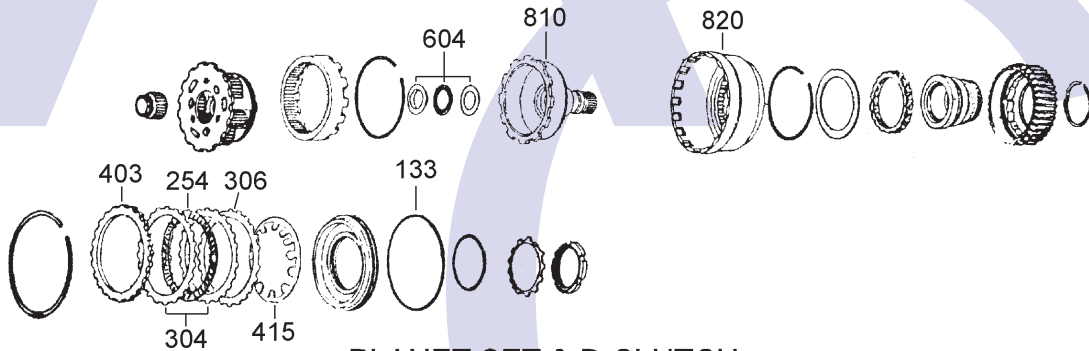
PUMP, C & B CLUTCHES

**B**



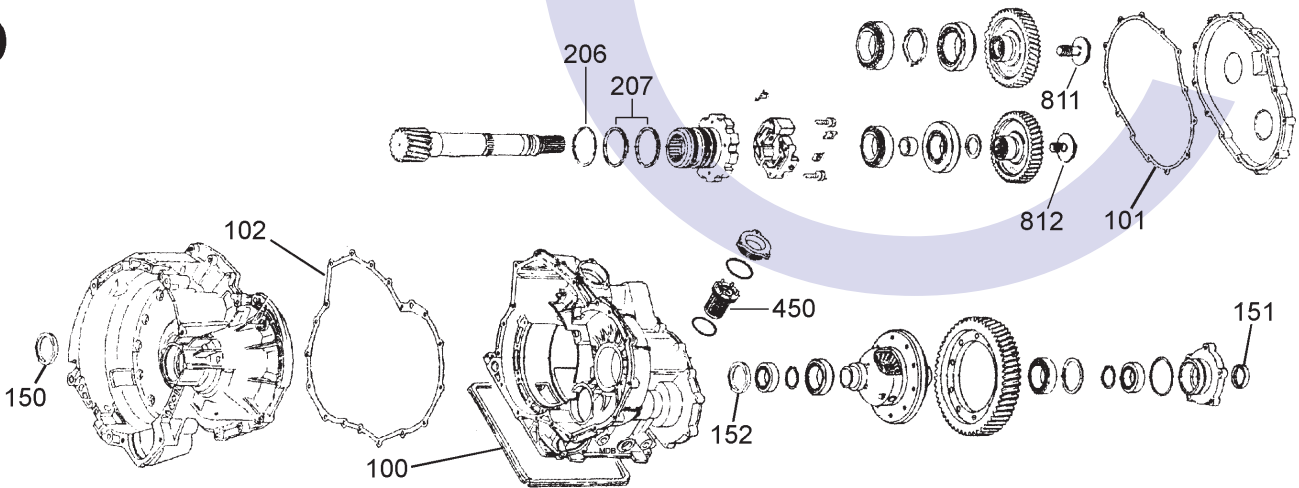
A & E CLUTCHES

**C**



PLANET SET & D CLUTCH

**D**



CASE & FINAL DRIVE

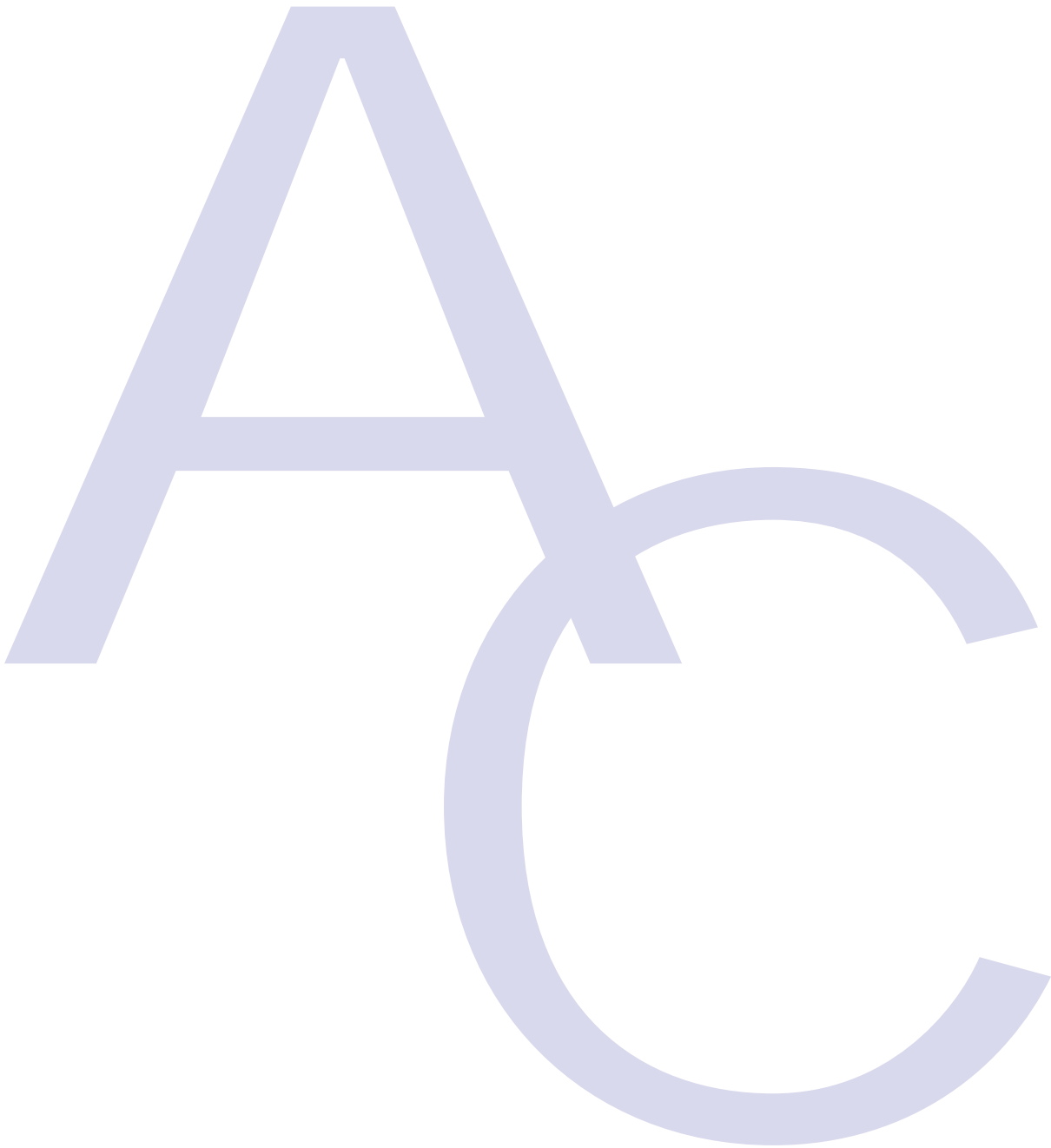
**ZF 4HP18 Transmission Code: 1050 000 xxx**  
**4 SPEED FWD (Hydraulic Control)**



A  
U  
T  
O  
M  
A  
T  
I  
C  
C  
H  
O  
I  
C  
E



T  
H  
E  
A  
U  
T  
O  
M  
A  
T  
I  
C  
T  
R  
A  
N  
S  
M  
I  
S  
S  
I  
O  
N  
P  
A  
R  
T  
S  
W  
A  
R  
E  
H  
O  
U  
S  
E



# ZF 4HP18 Transmission Code: 1050 000 xxx

## 4 SPEED FWD (Hydraulic Control)



AUTOMATIC CHOICE



THE AUTOMATIC TRANSMISSION PARTS WAREHOUSE

ILL NO.	DESCRIPTION	YEARS	QTY	PART NO
<b>KITS</b>				
Kit	Overhaul Kit (OEM) (Alfa, Peugeot, Citroen, Lancia)	90-ON	1	<b>4HP18.OHK03</b>
Kit	Overhaul Kit (Precision) (Saab Alfa, Peugeot, Citroen, Lancia)	90-ON	1	<b>4HP18.OHK51</b>
Kit	Overhaul Kit (OEM) (Saab With Late Sealing Rings)	87-ON	1	<b>4HP18.OHK02</b>
Kit	Overhaul Kit (OEM) (Alfa, Fiat & Lancia)	90-ON	1	<b>4HP18.OHK07</b>
<b>GASKETS</b>				
100D	Pan Gasket (OEM)	87-ON	1	<b>4HP18.GAS05</b>
100D	Pan Gasket (AM)	87-ON	1	<b>4HP18.GAS55</b>
101D	Spur Gear Gasket	87-ON	1	<b>4HP18.GAS02</b>
102D	Maincase Gasket (OEM) (Saab, Alfa, Lancia & Fiat)	87-ON	1	<b>4HP18.GAS01</b>
102D	Maincase Gasket (AM) (Saab, Alfa, Lancia & Fiat)	87-ON	1	<b>4HP18.GAS51</b>
102D	Maincase Gasket (OEM) (Peugeot/ Citroen)	90-ON	1	<b>4HP18.GAS03</b>
102D	Maincase Gasket (AM) (Peugeot/ Citroen)	90-ON	1	<b>4HP18.GAS53</b>
NI	Filter Gasket	87-ON	1	<b>4HP14.GAS04</b>
NI	Valve Body Small Side Plate	87-ON	1	<b>4HP14.GAS05</b>
NI	Valve Body Modulator Valve Cover (Turbo Models Only)	87-ON	1	<b>4HP18.GAS06</b>
<b>RUBBER COMPONENTS</b>				
131B	'O' Ring, 'E' Clutch Outer	87-ON	1	<b>6HP19.OR01</b>
133C	'O' Ring, 'D' Clutch Outer	87-ON	1	<b>5HP19.OR11</b>
NI	'O' Ring 123 Sequencing Valve Sleeve to Body	87-ON	1	<b>4HP14.SPR22</b>
NI	Cooler to Case Lathe Cut Seal (Large Dia. x 4.83mm Thick)	87-ON	1	<b>4HP14.RUB01</b>
NI	Cooler to Case Lathe Cut Seal (Large Dia. x 3.64mm Thick)	92-ON	1	<b>4HP14.RUB03</b>
NI	Cooler to Case Lathe Cut Seal (Small Dia. x 4.83mm Thick)	87-ON	1	<b>4HP14.RUB02</b>
NI	Cooler to Case Lathe Cut Seal (Small Dia. x 3.64mm Thick)	92-ON	1	<b>4HP14.RUB04</b>
<b>METAL CLAD SEALS</b>				
150D	Converter Seal	87-ON	1	<b>4HP18.MCS01</b>
151D	Diff Left Hand Side (Peugeot, Citroen)	87-ON	1	<b>4HP14.MCS01</b>
151D	Diff Left Hand Side (Saab)	87-ON	1	<b>4HP18.MCS06</b>
151D	Diff Left Hand Side (Alfa/Lancia/Fiat)	87-ON	1	<b>4HP18.MCS04</b>
152D	Diff Right Hand Side (Peugeot, Citroen)	87-ON	1	<b>4HP18.MCS03</b>
12D	Diff Right Hand Side (Saab)	87-ON	1	<b>4HP18.MCS07</b>
12D	Diff Right Hand Side (Alfa/Lancia/Fiat)	87-ON	1	<b>4HP18.MCS05</b>
NI	Selector Shaft	87-ON	1	<b>CTX.MCS13</b>
<b>SEALING RINGS</b>				
Kit	Sealing Ring Kit (OEM)	87-ON	1	<b>4HP18.SRK01</b>
Kit	Sealing Ring Kit (Bryco)	87-ON	1	<b>4HP18.SRK02</b>
200A	Stator Support (Front)	87-ON	2	<b>4HP18.SSR06</b>
201A	Stator Support (Rear)	87-ON	1	<b>4HP14.SSR03</b>
202B	Turbine Shaft Front (Small)	87-ON	1	<b>4HP18.SSR04</b>
203B	Turbine Shaft Rear (Large) (Early Narrow Ring Groove)	87-?	1	<b>4HP18.SSR03</b>
203B	Turbine Shaft Rear (Large) (Late Wide Ring Groove)	?-ON	1	<b>4HP18.SSR07</b>
204B	Motor Shaft Front (Plastic)	87-ON	2	<b>4HP18.SSR02</b>

ILL NO.	DESCRIPTION	YEARS	QTY	PART NO
<b>SEALING RINGS Cont...</b>				
205B	Motor Shaft Rear (Large) (Early Narrow Ring Groove)	87-?	1	<b>4HP14.SSR04</b>
205B	Motor Shaft Rear (Large) (Late Wide Ring Groove)	?-ON	1	<b>4HP18.SSR08</b>
206D	Governor (Steel)	87-ON	1	<b>4HP18.SSR05</b>
207D	Governor (Rubber)	87-ON	2	<b>4HP14.SSR01</b>
<b>FRICITION PLATES</b>				
Kit	Friction Kit Chrysler/Saab 9000	87-ON	1	<b>4HP18.FRK01</b>
Kit	Friction Kit Chrysler/Saab 9000 (Alto)	87-ON	1	<b>4HP18.FRK51</b>
Kit	Friction Kit (Borg Warner)	87-ON	1	<b>4HP18.FRK02</b>
250A	'C' Brake (Borg Warner)	87-ON	3	<b>3HP22.FRP23</b>
251A	'B' Clutch (OEM)	87-ON	2-3	<b>4HP18.FRP05</b>
251A	'B' Clutch (Pattern)	87-ON	2-3	<b>4HP18.FRP15</b>
252B	'A' Clutch (OEM)	87-ON	4-5	<b>4HP18.FRP03</b>
252B	'A' Clutch (Pattern)	87-ON	4-5	<b>4HP18.FRP12</b>
253B	'E' Clutch (OEM)	87-ON	4-5	<b>4HP18.FRP04</b>
253B	'E' Clutch (Pattern)	87-ON	4-5	<b>4HP18.FRP14</b>
253B	'E' Clutch (Alto)	87-ON	4-5	<b>4HP18.FRP54</b>
254C	'D' Brake (OEM)	87-ON	5-6	<b>4HP18.FRP02</b>
254C	'D' Clutch (Pattern)	87-ON	4-5	<b>4HP18.FRP12</b>
<b>STEEL PLATES</b>				
Kit	Steel Plate Kit	87-ON	1	<b>4HP18.STK01</b>
Kit	Steel Plate Kit (Alto)	87-ON	1	<b>4HP18.STK51</b>
300A	'C' Brake	87-ON	3	<b>3HP22.STP03</b>
301A	'B' Clutch	87-ON	2-3	<b>4HP18.STP01</b>
302B	'A' Clutch	87-ON	4-5	<b>4HP18.STP01</b>
303B	'E' Clutch	87-ON	4-5	<b>4HP18.STP02</b>
304C	'D' Brake	87-ON	5-6	<b>4HP18.STP01</b>
305B	'A' Clutch Waved Plate	87-ON	1	<b>4HP18.STP03</b>
306C	'D' Clutch Waved Plate	87-ON	1	<b>4HP18.STP03</b>
<b>PRESSURE PLATES</b>				
400A	'C' Brake Pressure Plate	87-ON	1	<b>4HP18.PP01</b>
401A	'B' Clutch Pressure Plate	87-ON	1	<b>4HP18.PP02</b>
402B	'A' Clutch Pressure Plate	87-ON	1	<b>4HP18.PP02</b>
403C	'D' Clutch Pressure Plate	87-ON	1	<b>4HP18.PP02</b>
404B	'E' Clutch Pressure Plate (Alto)	87-ON	1	<b>4HP18.PP03</b>
<b>SPRINGS &amp; CIRCLIPS</b>				
410A	'C' Brake Diaphragm Spring	87-ON	1	<b>4HP18.DIA01</b>
411A	'B' Clutch Diaphragm Spring	87-ON	1	<b>4HP18.DIA02</b>
412B	'A' Clutch Diaphragm Spring (Large Piston Side Some) (Box Code Required)	87-ON	1	<b>4HP18.DIA06</b>
413B	'A' Clutch Diaphragm Spring (Small Accumulator Side Some) (Box Code Required)	87-ON	1	<b>4HP18.DIA03</b>
414B	'E' Clutch Diaphragm Spring	87-ON	2	<b>4HP18.DIA04</b>
415C	'D' Brake Diaphragm Spring	87-ON	1	<b>4HP18.DIA05</b>
NI	Spring Pressure Reg (Outer)	87-ON	1	<b>5HP19.SPR03</b>
NI	'E' Clutch Accumulator Spring (Codes <b>1050 000</b> 109, 110, 159)	87-ON	1	<b>4HP14.SPR23</b>
NI	'E' Clutch Accumulator Spring (Codes <b>1050 000</b> 042, 047, 062, 064, 067, 088, 112, 114, 115, 119, 134, 138, 140, 150, 151, 152, 209, 216)	87-ON	1	<b>4HP14.SPR24</b>
NI	'A' Clutch Accumulator Springs (We are able to supply a large range of Accumulator Springs from stock, please furnish transmission Code when enquiring).			

# ZF 4HP18 Transmission Code: 1050 000 xxx

## 4 SPEED FWD (Hydraulic Control)



AUTOMATIC CHOICE



THE AUTOMATIC TRANSMISSION PARTS WAREHOUSE

ILL NO.	DESCRIPTION	YEARS	QTY	PART NO
<b>FILTERS</b>				
450D	Filter.....	87-ON	1	4HP18.FIL01
<b>BANDS</b>				
500A	Band (OEM).....	87-ON	1	4HP18.BAN01
500A	Band.....	87-ON	1	4HP18.BAN11
500A	Band (OEM Wide) (Codes: 1050 000 168 & 184)...	87-ON	1	4HP18.BAN02
<b>BUSHES</b>				
550A	Stator Support (Rear).....	87-ON	1	4HP18.BUS01
551B	Turbine Shaft (Bronze).....	87-ON	1	4HP14.BUS12
NI	Converter Bush.....	87-ON	1	4HP18.BUS03
<b>ELECTRONIC COMPONENTS</b>				
<b>THRUST WASHERS &amp; BEARINGS</b>				
600A	Selective Pump Thrust Washer (1.00mm Thick).....	87-ON	AR	4HP18.THW14
600A	Selective Pump Thrust Washer (1.20mm Thick).....	87-ON	AR	4HP18.THW13
600A	Selective Pump Thrust Washer (1.40mm Thick).....	87-ON	AR	4HP18.THW12
600A	Selective Pump Thrust Washer (1.60mm Thick).....	87-ON	AR	4HP18.THW11
600A	Selective Pump Thrust Washer (1.80mm Thick).....	87-ON	AR	4HP18.THW10
600A	Selective Pump Thrust Washer (2.00mm Thick).....	87-ON	AR	4HP18.THW09
600A	Selective Pump Thrust Washer (2.20mm Thick).....	87-ON	AR	4HP18.THW08
600A	Selective Pump Thrust Washer (2.40mm Thick).....	87-ON	AR	4HP18.THW07
600A	Selective Pump Thrust Washer (2.60mm Thick).....	87-ON	AR	4HP18.THW06
600A	Selective Pump Thrust Washer (2.80mm Thick).....	87-ON	AR	4HP18.THW05
600A	Selective Pump Thrust Washer (3.00mm Thick).....	87-ON	AR	4HP18.THW04
600A	Selective Pump Thrust Washer (3.20mm Thick).....	87-ON	AR	4HP18.THW03
600A	Selective Pump Thrust Washer (3.40mm Thick).....	87-ON	AR	4HP18.THW02
600A	Selective Pump Thrust Washer (3.60mm Thick).....	87-ON	AR	4HP18.THW01
601B	Thrust Bearing Kit (E' Clutch to Int, Shaft).....	87-ON	1	4HP18.TK01
602B	Thrust Bearing Kit (Int. Shaft to Sun Gear Shaft) (Box Code Required).....	87-ON	1	4HP18.TK02
602B	Thrust Bearing Kit (Int. Shaft to Sun Gear Shaft) (Box Code Required).....	87-ON	1	4HP18.TK05
603B	Thrust Bearing Kit (Sun Gear Shaft to Drive Shell).....	87-ON	1	4HP18.TK03
604C	Thrust Bearing Kit (Planetary to O. Shaft) All Except (1050 000 168 & 184).....	87-ON	1	4HP18.TK04
604C	Thrust Bearing Kit (Planetary to O. Shaft) (1050 000 168 & 184 Only).....	All	1	5HP18.TK04

ILL NO.	DESCRIPTION	YEARS	QTY	PART NO
<b>THRUST WASHERS &amp; BEARINGS Cont...</b>				
605A	Thrust Plate (B' Clutch to A' Clutch).....	87-ON	1	4HP18.THW26
606B	Thrust Washer (Early Plastic) 'A' to 'E' Clutch.....	87-ON	1	4HP14.THW01
606B	Thrust Bearing (Replaces Plastic) 'A' to 'E' Clutch (Later Units).....	87-ON	1	4HP18.TOR04
<b>HARD PARTS</b>				
800A	Short Pump Assy (All Except Codes 023, 024, 031, 032, 048 & 049).....	87-ON	1	4HP18.PUM01
801A	Stator Support (New).....	87-ON	1	4HP18.SUP01
802A	'B' Clutch Drum (All Except Codes 1050 000 168 & 184).....	87-ON	1	4HP18.DRU01
803B	'A' Clutch Drum (Box Code Required).....	87-ON	1	4HP18.DRU02
803B	'A' Clutch Drum (Box Code Required).....	87-ON	1	4HP18.DRU03
804B	Turbine Shaft (Box Code Required).....	87-ON	1	4HP18.SH01
804B	Turbine Shaft (Hardened End) (Box Code Required).....	92-ON	1	4HP18.SH03
805B	'A' Clutch Piston (5 Plate).....	87-ON	1	4HP18.PIS01
805B	'A' Clutch Piston (4 Plate).....	87-ON	1	4HP18.PIS03
806B	'A' Clutch Accumulator Piston.....	87-ON	1	4HP18.PIS02
807B	'E' Clutch Piston (5 Plate) (Box Code Required).....	87-ON	1	4HP18.PIS04
808B	Drive Shell (Pot) All Except (1050 000 168 & 184).....	87-ON	1	4HP18.POT01
809A	'B' Clutch Spring Retainer (Set of Two Half Clips).....	87-ON	1	4HP18.RET01
810C	Output Shaft All Except (1050 000 168 & 184).....	87-ON	1	4HP18.SH02
811D	Bolt Output Gear to O. Shaft All Except (068, 116, 139, 142, 145, 168, 184, 186, & 219).....	All	1	4HP14.NUT01
811D	Bolt Output Gear to O. Shaft (068, 116, 139, 142, 145, 168, 184, 186, & 219).....	All	1	4HP18.NUT01
812D	Bolt Output Gear - Pinion Shaft All		1	4HP14.NUT01
814B	Sun Gear Shaft (Codes 1050 000 168, 184) .....	87-ON	1	5HP19.SH01
820C	Spider CL.Bell (Codes 1050 000 168, 184) .....	87-ON	1	5HP19.PL01
NI	'C2' Servo Piston Assy.....	87-ON	1	4HP18.SER01
NI	Cushion Spring 'C2' Servo (Pack of two).....	87-ON	1	4HP18.SER02
<p><b>We also carry a large selection of Governor Heads for this unit, for availability, please furnish transmission code.</b></p>				
<b>SPECIAL ITEMS</b>				
NI	ATSG Supplement Manual (Saab 9000).....	All		4HP18.MAN01
<p><b>We have in stock a large range of Control/Downshift Cables for this unit, for availability, please contact us with your transmission code.</b></p>				