

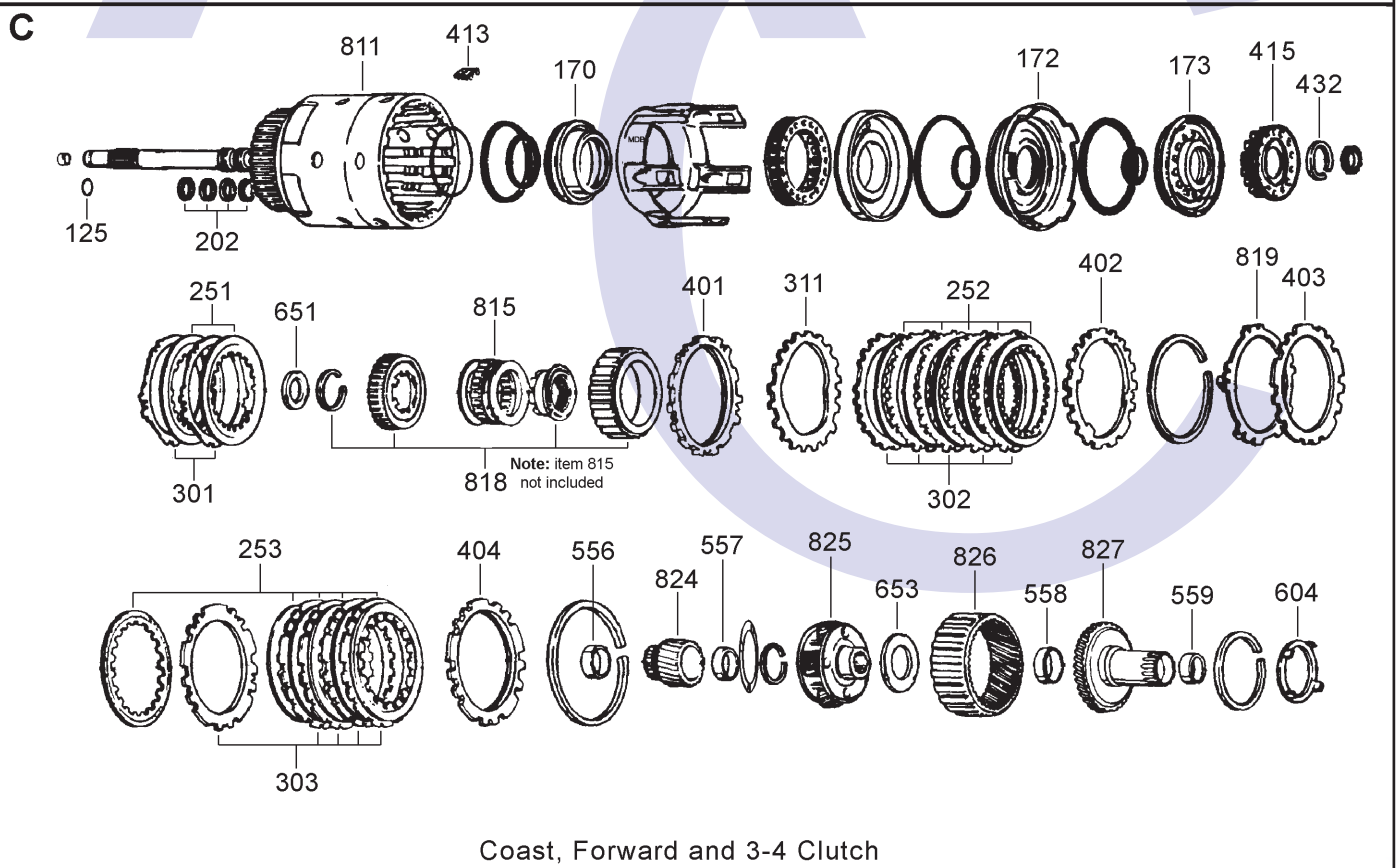
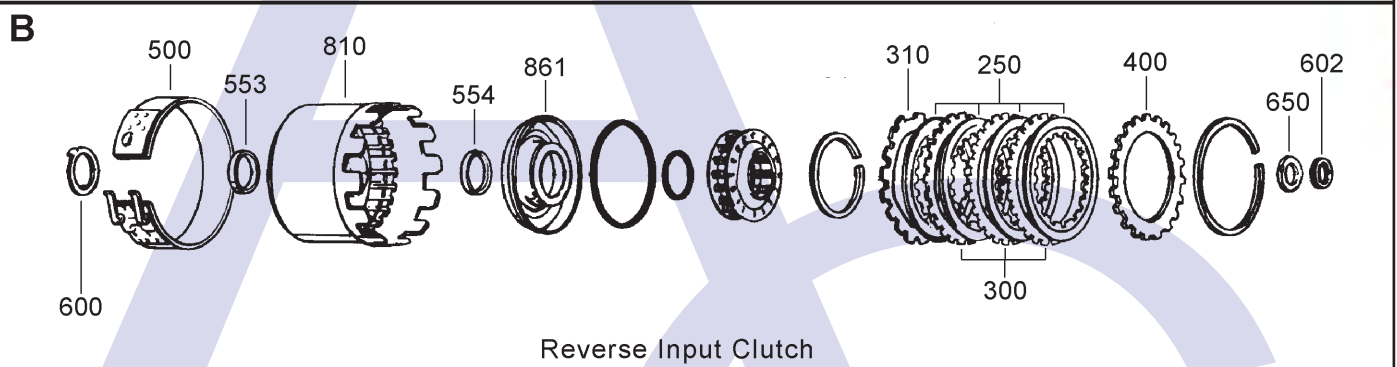
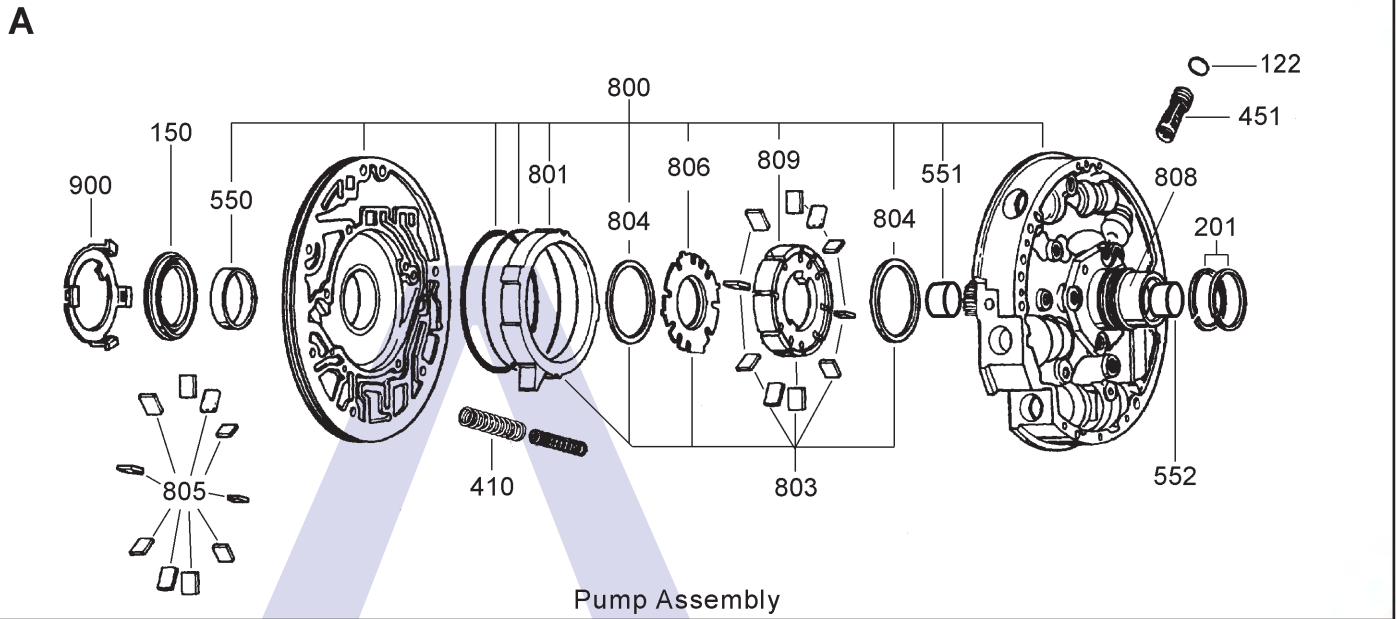
# TH 700-R4 (4L60) 82-93, 4L60E 93-ON, 4L65E 02-ON 4 SPEED RWD (Electronic & Hydraulic Control)



AUTOMATIC CHOICE



THE AUTOMATIC TRANSMISSION PARTS WAREHOUSE



# TH 700-R4 (4L60) 82-93, 4L60E 93-ON, 4L65E 02-ON 4 SPEED RWD (Electronic & Hydraulic Control)

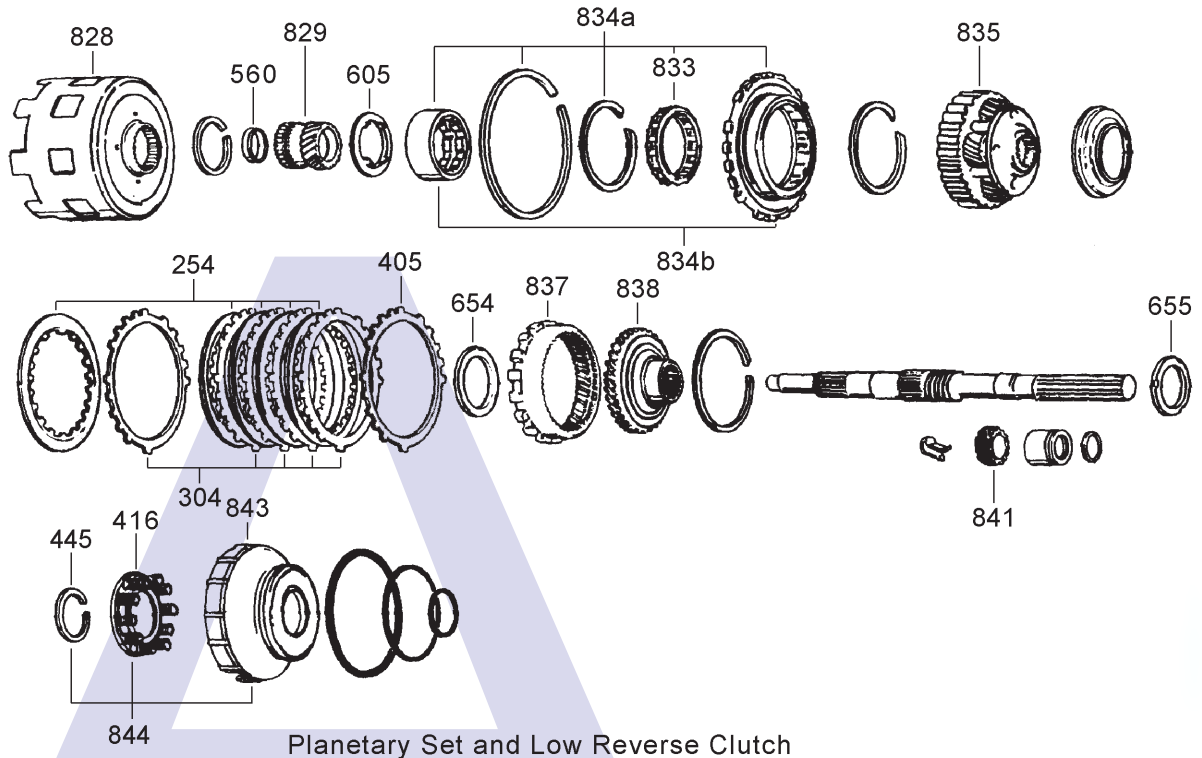


AUTOMATIC CHOICE



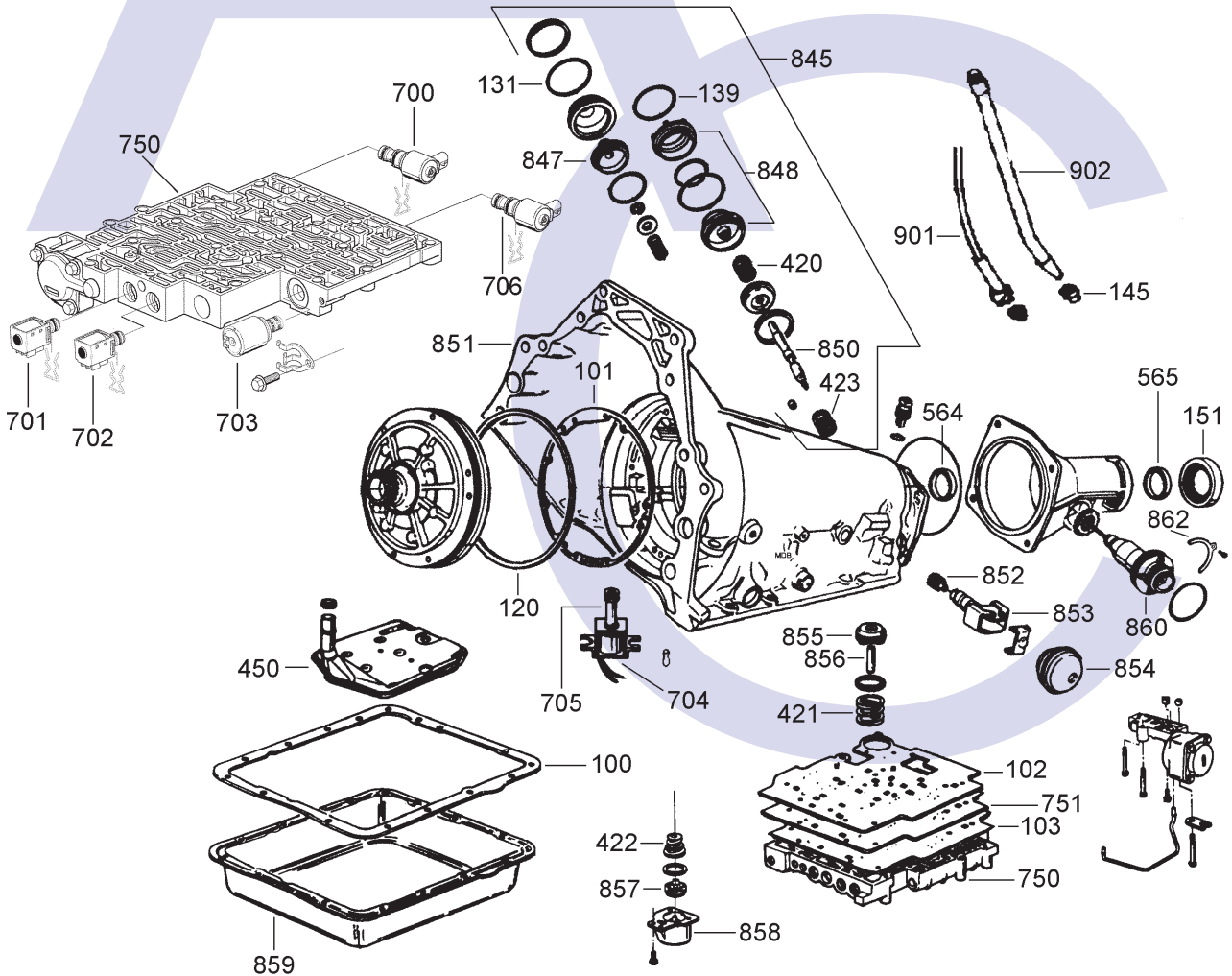
THE AUTOMATIC TRANSMISSION PARTS WAREHOUSE

D



Planetary Set and Low Reverse Clutch

E



Case, Servo and Governor

# TH 700-R4 (4L60) 82-93, 4L60E 93-ON, 4L65E 02-ON 4 SPEED RWD (Electronic & Hydraulic Control)



AUTOMATIC CHOICE



THE AUTOMATIC TRANSMISSION PARTS WAREHOUSE

ILL NO.	DESCRIPTION	YEARS	QTY	PART NO
<b>KITS</b>				
Kit	Super Overhaul Kit W/O Aux Valve Body (4L60).....	85-E87	1	<b>TH700.SOHK02</b>
Kit	Overhaul Kit (Transtec) (4L60).....	82-93	1	<b>TH700.OHK01</b>
Kit	Overhaul Kit (Precision) (4L60).....	82-93	1	<b>TH700.OHK51</b>
Kit	Sonnax "Sure Cure" Transmission Reconditioning Kit 4L60.....	82-93	1	<b>TH700.SCK01</b>
Kit	Master Overhaul Kit (4L60E) (With 1.95mm 3-4 Steels.....	E93	1	<b>4L60E.MOHK01</b>
Kit	Overhaul Kit (Transtec) (4L60E).....	93-04	1	<b>4L60E.OHK01</b>
Kit	Overhaul Kit (Transtec) (4L65E).....	02-03	1	<b>4L60E.OHK01</b>
Kit	Overhaul Kit (Transtec) (4L60E/4L65E).....	04-ON	1	<b>4L60E.OHK04</b>
Kit	Overhaul Kit (Transtec) (4L60E V8 With Bonded Rubber Valve Body Gasket).....	06-ON	1	<b>4L60E.OHK04</b>
Kit	Overhaul Kit (Precision) (4L60E).....	93-96	1	<b>4L60E.OHK53</b>
Kit	Overhaul Kit (Precision) (4L60E).....	97-02	1	<b>4L60E.OHK52</b>
Kit	Sonnax "Sure Cure" Transmission Reconditioning Kit 4L60E.....	93-ON	1	<b>4L60E.SCK01</b>
Kit	High Performance Pack (4L60E/65E) (Sonnax® <a href="#">Click here for Info</a> ).....	93-ON	1	<b>4L60E.SK02</b>
<b>GASKETS</b>				
100E	Pan Gasket (Cork).....	82-ON	1	<b>TH700.GAS01</b>
100E	Pan Gasket (Fibre).....	82-ON	1	<b>TH700.GAS10</b>
101E	Front Pump to Case Gasket.....	82-E83	1	<b>TH700.GAS03</b>
101E	Front Pump to Case Gasket.....	L83-ON	1	<b>TH700.GAS02</b>
102E	Upper Valve Body 4L60.....	82-86	1	<b>TH700.GAS06</b>
102E	Upper Valve Body 4L60.....	87-93	1	<b>TH700.GAS07</b>
102E	Upper Valve Body 4L60E.....	93-99	1	<b>4L60E.GAS03</b>
103E	Lower Valve Body 4L60.....	82-86	1	<b>TH700.GAS04</b>
103E	Lower Valve Body 4L60.....	87-93	1	<b>TH700.GAS05</b>
103E	Lower Valve Body 4L60E.....	93-99	1	<b>4L60E.GAS04</b>
750E	Plate, Valve Body (Bonded) (V8 Engine) (4L60E, 4L70E, 4L75E).....	06-ON	1	<b>4L60E.GAS08</b>
NI	Washer, Pump Bolt.....	82-E86	7	<b>TH180.WA01</b>
<b>RUBBER COMPONENTS</b>				
Kit	Replacement Seal Kit for Sonnax 4th Gear "Super Hold" Servo (TH700.SER04).....	82-ON	1	<b>TH700.SRK05</b>
120E	Pump to Case Lathe Cut Seal ..	82-03	1	<b>TH400.SQR01</b>
120E	Pump to Case Stamped Steel Moulded Rubber.....	04-ON	1	<b>4L60E.MCS07</b>
122A	Pump Screen 'O' Ring.....	82-ON	1	<b>DPO.OR08</b>
125C	Turbine Shaft 'O' Ring (Green Coated).....	82-ON	1	<b>TH125.OR01</b>
137E	O-Ring, Servo Cover (Outer Blue).....	82-ON	1	<b>TH700.OR01</b>
139E	O-Ring, Servo Cover (Inner Red).....	82-ON	1	<b>TH700.OR03</b>
145E	Filler Tube to Case Multi Lip Seal (Replaces O Ring).....	82-ON	1	<b>TH125.LIP03</b>
NI	'O' Ring, Pump Bolt.....	L86-ON	7	<b>TH700.OR02</b>
NI	2nd Apply Servo Saver Seal (Sonnax®, 5 per bag).....	82-ON		<b>4L60E.SL01</b>
NI	Servo Pisto Bore Seal.....	82-ON	1	<b>4L60E.MCS05</b>

ILL NO.	DESCRIPTION	YEARS	QTY	PART NO
<b>METAL CLAD SEALS</b>				
150A	Front Pump Seal.....	82-ON	1	<b>TH700.MCS01</b>
151E	Extension Housing.....	82-ON	1	<b>TH180.MCS02</b>
151E	Extension Housing (Corvette Only).....	97-ON	1	<b>4L60E.MCS04</b>
NI	Selector Shaft.....	82-ON	1	<b>TH180.MCS03</b>
NI	Adaptor Housing (Colorado, Some Hummer 06-).....	04-ON	1	<b>4L60E.MCS06</b>
<b>MOULDED PISTONS</b>				
170C	Piston, 4th Clutch (Molded Rubber).....	94-ON	1	<b>4L60E.PIS01</b>
172C	Piston, Forward Clutch (Molded Rubber).....	94-ON	1	<b>4L60E.PIS02</b>
172C	Piston, Forward Clutch (Aluminium Version).....	93-ON	1	<b>4L60E.PIS05</b>
173C	Piston, Overrun Clutch (Molded Rubber).....	94-ON	1	<b>4L60E.PIS03</b>
<b>SEALING RINGS</b>				
Kit	Sealing Ring Kit (Combo Kit)....	82-ON	1	<b>TH700.SRK01</b>
Kit	Sealing Ring Kit (4L60E).....	93-ON	1	<b>4L60E.SRK01</b>
201A	Stator Support Rear (Scarf Cut Teflon®).....	82-93	2	<b>TH700.SSR02</b>
201A	Stator Support Rear (Solid Teflon®).....	93-ON	2	<b>TH700.SSR03</b>
202C	Turbine Shaft Sealing Ring (Solid Teflon®).....	82-ON	4	<b>TH700.SSR01</b>
<b>FRICITION &amp; STEEL KITS</b>				
Kit	Friction & Steel Plate (Alto) (High Perf Red Eagle®).....	82-84	1	<b>TH700.CK60</b>
Kit	Friction & Steel Plate (Alto) (High Perf Red Eagle®).....	84-E87	1	<b>TH700.CK61</b>
Kit	Friction & Steel Plate (Alto) (H.Perf With 3-4 Powerpack)....	84-E87	1	<b>TH700.CK62</b>
Kit	3rd & 4th Clutch Hi Performance Kit (Borg Warner) With Friction & Steel Plates.....	82-ON	1	<b>TH700.CK01</b>
Kit	3rd & 4th Clutch Improver Kit (Alto) With Friction & Steel Plates.....	82-ON	1	<b>TH700.CK02</b>
Kit	3rd & 4th Clutch Hi Performance Kit (Alto) With Friction & Steel Plates.....	82-ON	1	<b>TH700.CK03</b>
Kit	Friction & Steel Kit, 3/4 Clutch Z Pak (7 Friction, 7 Steel Kit & 2 Press. Plates) (Raybestos®).....	82-ON	1	<b>TH700.CK04</b>
<b>FRICITION PLATES</b>				
Kit	Friction Plate (4L60).....	82-86	1	<b>TH700.FRK03</b>
Kit	Friction Plate (4L60) (Alto).....	85-E87	1	<b>TH700.FRK51</b>
Kit	Friction Plate (4L60) (Without 4th Clutch).....	82-86	1	<b>TH700.FRK04</b>
Kit	Friction Plate (4L60/4L60E).....	87-ON	1	<b>TH700.FRK01</b>
Kit	Friction Plate (4L60/4L60E) (Alto With Heg Frictions).....	87-ON	1	<b>TH700.FRK62</b>
Kit	Friction Plate (4L60) (Alto).....	82-84	1	<b>TH700.FRK54</b>
Kit	Friction Plate (4L60) (Alto).....	85-92	1	<b>TH700.FRK53</b>
Kit	Friction Plate (4L60) (Alto) (With Heg Frictions).....	85-92	1	<b>TH700.FRK63</b>
Kit	Friction Plate (4L60E) (Alto).....	92-96	1	<b>TH700.FRK52</b>
Kit	Friction Plate (4L60/4L60E) (Without 4th Clutch).....	87-ON	1	<b>TH700.FRK02</b>
Kit	Friction Plate 4L60E (Alto) (With 6.0L Eng, With HEG Frictions (Heavy Duty).....	01-ON	1	<b>4L60E.FRK52</b>



# TH 700-R4 (4L60) 82-93, 4L60E 93-ON, 4L65E 02-ON

## 4 SPEED RWD (Electronic & Hydraulic Control)



AUTOMATIC CHOICE



THE AUTOMATIC TRANSMISSION PARTS WAREHOUSE

ILL NO.	DESCRIPTION	YEARS	QTY	PART NO
<b>FRICITION PLATES Cont...</b>				
Kit	Friction Plate 4L60E (Alto) (With HEG Frictions & Turbulator Steels) .....	97-ON	1	<b>4L60E.FRK53</b>
250B	Reverse Input (153mm OD x 2.00mm x 41T) ..	82-E87	4	<b>TH700.FRP02</b>
250B	Reverse Input (153mm OD x 1.80mm x 41T) ..	L87-ON	4	<b>TH700.FRP07</b>
251C	Overrun Clutch (128mm OD x 2.00mm x 36T)....	82-ON	2	<b>TH700.FRP03</b>
252C	Forward Clutch (135mm OD x 2.00mm x 41T) ..	82-E85	5	<b>TH700.FRP04</b>
252C	Forward Clutch (135mm OD x 1.75mm x 41T) ..	L85-ON	5	<b>TH700.FRP06</b>
252C	Forward Clutch 4L60E (135mm OD x 1.75mm x 41T) ..	98-ON	5	<b>TH700.FRP12</b>
253C	3rd & 4th Clutch 4L60 (146mm OD x 2.00mm x 20T) ..	82-93	6	<b>TH700.FRP05</b>
253C	3rd & 4th Clutch Hi Capacity (146mm OD x 1.60mm x 20T) ..	82-ON	AR	<b>TH700.FRP08</b>
253C	3rd & 4th Clutch Hi Energy (146mm OD x 2.00mm x 20T) ..	82-ON	6	<b>TH700.FRP10</b>
253C	3rd & 4th Clutch Hi Energy (4T65E) (146mm OD x 1.70mm x 20T) ..	02-ON	6	<b>TH700.FRP14</b>
254D	Low & Reverse Brake (164mm OD x 2.20mm x 25T) ..	82-ON	5	<b>TH350.FRP05</b>
<b>STEEL PLATES</b>				
Kit	Steel Plate 4L60.....	82-86	1	<b>TH700.STK03</b>
Kit	Steel Plate 4L60 (Alto).....	82-84	1	<b>TH700.STK53</b>
Kit	Steel Plate 4L60 (Alto).....	85-E87	1	<b>TH700.STK51</b>
Kit	Steel Plate 4L60 (Without 4th Clutch) .....	82-86	1	<b>TH700.STK04</b>
Kit	Steel Plate 4L60.....	87-93	1	<b>TH700.STK01</b>
Kit	Steel Plate 4L60 (Alto).....	85-92	1	<b>TH700.STK52</b>
Kit	Steel Plate 4L60 (Without 4th Clutch) .....	87-93	1	<b>TH700.STK02</b>
Kit	Steel Plate 4L60E .....	02/93-97	1	<b>TH700.STK05</b>
Kit	Steel Plate 4L60E (Alto).....	02/93-97	1	<b>4L60E.STK52</b>
Kit	Steel Plate (Less 4th Clutch) ....	02/93-97	1	<b>TH700.STK06</b>
Kit	Steel Plate 4L60E (Alto) (With 6.0L Eng, & HEG Frictions (Heavy Duty) .....	01-ON	1	<b>4L60E.STK53</b>
Kit	Steel Plate 4L60E (Alto) (With HEG Frictions & Turbulator Steels) .....	97-ON	1	<b>4L60E.STK54</b>
Kit	Steel Plate 4L60E .....	97-ON	1	<b>TH700.STK08</b>
Kit	Steel Plate (Less 4th Clutch) ....	97-ON	1	<b>TH700.STK07</b>
Kit	Steel Plate (Less 4th Clutch) ....	02-ON	1	<b>TH700.STK10</b>
Kit	Steel Plate 3/4 Clutch 0.095" ....	02-ON	1	<b>TH700.STK09</b>
Kit	3rd & 4th Clutch Improver Kit (Borg Warner) .....	82-ON	1	<b>TH700.CK01</b>
Kit	3rd & 4th Clutch Improver Kit (Alto) .....	82-ON	1	<b>TH700.CK02</b>
300B	Reverse Input (129mm ID x 2.00mm x 36T) ....	82-96	3	<b>TH700.STP01</b>
300B	Reverse Input Oversize (Alto) (129mm ID x 2.28mm x 36T) ....	82-ON	AR	<b>TH700.STP15</b>
300B	Reverse Input 4L60E (4 Turbulator Holes) (129mm ID x 2.00mm x 36T) ....	96-ON	3	<b>4L60E.STP02</b>
300B	Reverse Input 4L60E (4 Turbulator Holes) (Alto) (129mm ID x 2.00mm x 36T) ....	96-ON	3	<b>TH700.STP16</b>
301C	Overrun Clutch (108mm ID x 2.30mm x 10T) ....	82-ON	2	<b>TH700.STP11</b>
302C	Forward Flat 4L60 (108mm ID x 2.00mm x 20T) ....	82-84	4	<b>TH700.STP02</b>
302C	Forward Flat 4L60/4L60E (108mm ID x 2.30mm x 20T) -	85-ON	4-5	<b>TH700.STP03</b>

ILL NO.	DESCRIPTION	YEARS	QTY	PART NO
<b>STEEL PLATES Cont...</b>				
303C	3rd & 4th Clutch (127mm ID x 1.93mm x 20T) ....	82-1/93	5	<b>TH700.STP09</b>
303C	3rd & 4th Clutch (Alto) (127mm ID x 1.93mm x 20T) ....	82-1/93	5	<b>TH700.STP14</b>
303C	3rd & 4th Clutch (127mm ID x 2.70mm x 20T) ....	5/93-ON	5	<b>4L60E.STP03</b>
303C	3rd & 4th Clutch (Use With TH700.FRP08) (127mm ID x 1.50mm x 20T) ....	82-4/93	AR	<b>TH700.STP10</b>
303C	3rd & 4th Clutch 4L65E (127mm ID x 2.40mm x 20T) ....	02-ON	6	<b>4L60E.STP06</b>
304D	Low & Reverse (145mm ID x 1.73mm x 17T) ....	82-97	5	<b>TH350.STP03</b>
304D	Low & Rev Brake 4L60E With Turbulator Holes (145mm ID x 1.25mm x 17T) ....	97-ON	AR	<b>TH700.STP20</b>
304D	Low & Rev Brake 4L60E With Turbulator Holes (145mm ID x 2.26mm x 17T) ....	97-ON	AR	<b>TH700.STP05</b>
310B	Rev Input Waved 4L60 (129mm ID x 2.00mm x 36T) ....	82-E87	1	<b>TH700.STP06</b>
310B	Rev Input Waved 4L60 (Alto) (129mm ID x 2.00mm x 36T) ....	84-87	1	<b>TH700.STP17</b>
310B	Rev Input Dished (129mm ID x 1.30mm x 36T) ....	L87-ON	1	<b>TH700.STP08</b>
310B	Rev Input Dished (129mm ID x 1.80mm x 36T) ....	L87-ON	1	<b>4L60E.STP05</b>
310B	Rev Input Dished (129mm ID x 2.20mm x 36T) ....	L87-ON	1	<b>TH700.STP07</b>
311C	Forward Waved (108mm ID x 1.80mm x 20T) ....	84-3/95	1	<b>TH700.STP04</b>
311C	Forward Waved (108mm ID x 1.80mm x 12T) ....	4/95-ON	1	<b>4L60E.STP01</b>
<b>PRESSURE &amp; SPACER PLATES</b>				
400B	Reverse Input Clutch (6.7-6.9mm) .....	82-ON	1	<b>TH700.PP15</b>
401C	Apply Plate, Forward Clutch (6.44mm) 4L60.....	82-86	1	<b>TH700.PP07</b>
401C	Apply Plate, Forward Clutch 4L60 (1.95mm).....	82-93	1	<b>TH700.PP06</b>
401C	Apply Plate, Forward Clutch (4.32mm).....	87-ON	1	<b>TH700.PP08</b>
402C	Forward Clutch (5.87mm).....	82-ON	1	<b>TH700.PP16</b>
402C	Forward Clutch (6.43mm).....	82-ON	1	<b>TH700.PP14</b>
403C	Apply Plate, 3/4 Clutch (3.30mm Flat).....	82-ON	1	<b>TH700.PP04</b>
403C	Apply Plate, 3/4 Clutch (4.00mm Bevelled).....	87-ON	1	<b>TH700.PP05</b>
403C	Apply Plate, 3/4 Clutch (With 5 Steps) .....	93-ON	1	<b>TH700.PP17</b>
404C	3/4 Clutch 4L60E (4.87mm) (Cast# B) .....	93-ON	1	<b>TH700.PP10</b>
404C	3/4 Clutch 4L60 (5.00mm - 5.25mm Cast# 3) .....	82-93	1	<b>TH700.PP01</b>
404C	3/4 Clutch (5.65mm).....	82-ON	1	<b>TH700.PP11</b>
404C	3/4 Clutch (6.0-6.25mm Cast# 2) .....	82-ON	1	<b>TH700.PP12</b>
404C	3/4 Clutch (7.0-7.25mm Cast# 1) .....	82-ON	1	<b>TH700.PP13</b>
405D	Spacer Plate, Low/ Rev Brake (1.25mm Thick) .....	82-ON	1	<b>TH700.PP02</b>
405D	Spacer Plate, Low/ Rev Brake (2.26mm Thick) .....	82-ON	1	<b>TH700.PP03</b>
405D	Spacer Plate, Low/ Rev Brake (2.46mm Thick) .....	82-ON	1	<b>TH700.PP18</b>

# TH 700-R4 (4L60) 82-93, 4L60E 93-ON, 4L65E 02-ON

## 4 SPEED RWD (Electronic & Hydraulic Control)



AUTOMATIC CHOICE



THE AUTOMATIC TRANSMISSION PARTS WAREHOUSE

ILL NO.	DESCRIPTION	YEARS	QTY	PART NO
<b>PRESSURE &amp; SPACER PLATES Cont...</b>				
405D	Spacer Plate, Low/ Rev Brake (3.17mm Thick) .....	82-ON	1	TH700.PP19
405D	Spacer Plate, Low/ Rev Brake (1.25mm Thick) With Holes.....	99-ON	1	TH700.PP20
405D	Spacer Plate, Low/ Rev Brake (2.26mm Thick) With Holes.....	99-ON	1	TH700.PP21
<b>SPRINGS &amp; CIRCLIPS</b>				
Kit	Circlip Set (All Circlips) .....	82-ON	1	TH700.CIR10
410A	Pump Slide Spring, High Output (Sonnax®, Replaces 2 OEM Springs) (5 Per Pack) .....	82-ON	1	TH700.SPR04
NI	Spacer, Pump Slide Spring (Performance) (Sonnax® <a href="#">Click here for Info</a> ) .	82-ON	1	4L60E.SP01
NI	Spring, Fits Under Slide Pin.....	82-ON	1	TH700.PUM24
413C	Release Spring Assyembly 3-4 Clutch Load.....	82-ON	5	TH700.SPR09
415C	Return Spring Assembly Overrun Piston (4L60E/4L65E). 93-ON	93-ON	1	4L60E.SPR01
416D	Return Spring Assembly Low & Reverse Clutch .....	82-ON	1	TH700.SPR06
420E	Cushion Spring, Servo Apply Pin.....	82-ON	1	TH700.SPR03
421E	Performance 3-4 Accumulator Spring (Sonnax).....	82-ON	1	TH700.ACC13
422E	Spring, 1-2 Accumulator (Purple) Outer .....	82-ON	1	TH700.ACC03
422E	Spring, 1-2 Accumulator (Red) Outer .....	82-ON	1	TH700.ACC04
422E	Spring, 1-2 Accumulator (White) Outer .....	82-ON	1	TH700.ACC05
422E	Spring, 1-2 Accumulator (Orange, Cone Shaped) Outer..	82-ON	1	TH700.ACC06
422E	Spring, 1-2 Accumulator (Yellow) Outer .....	82-ON	1	TH700.ACC07
422E	Spring, 1-2 Accumulator (Green) Outer.....	82-ON	1	TH700.ACC08
422E	Performance 1-2 Accumulator Spring (Sonnax).....	82-ON	1	TH700.ACC13
423E	Return Spring, Band Apply Servo (Silver 30mm Dia x 25mm Long 3 Coils) .....	82-ON	1	TH700.SPR07
NI	Release Spring Assembly, 3-4 Clutch Load.....	82-ON	1	TH700.SPR01
NI	TV Helper Spring 4L60 .....	82-93	1	TH700.SPR02
432C	Circlip, Overrun Piston Return Spring (4L60E/65E) .....	93-ON	1	4L60E.CIR01
445D	Circlip, Low & Reverse Clutch Spring Retainer .....	82-ON	1	TH700.CIR01
<b>FILTERS</b>				
450E	Filter 4L60 .....	82-86	1	TH2004R.FIL01
450E	Filter 4L60 (Retro's All Early) ....	87-93	1	TH700.FIL01
450E	Filter 4L60E .....	93-ON	1	4L60E.FIL01
450E	Filter 4L60E (Corvette Only) (30mm Spout) .....	97-ON	1	4L60E.FIL04
450E	Filter 4L60E (Light Truck + Van).....	98-ON	1	4L60E.FIL05
450E	Filter 4L60E/4L65E (Truck & Van Deep Pan) .....	97-ON	1	4L60E.FIL07
450E	Filter 4L60E/4L65E (Chevy Colorado+Canyon) .....	04-ON	1	4L60E.FIL08
450E	Filter 4L60E/4L65E (Hummer).....	06-ON	1	4L60E.FIL08
451A	Screen, Pump 4L60 .....	82-93	1	TH700.FIL03

ILL NO.	DESCRIPTION	YEARS	QTY	PART NO
<b>FILTERS Cont...</b>				
NI	Governor & TCC Screen 4L60 (Fit in Casing Under V.B) .....	82-93	2	TH700.FIL02
NI	PWM Solenoid (Round)4L60E (Snaps on Valve Body Plate) ....	93-ON	1	4L60E.FIL02
NI	Shift Solenoid (Small Rectangular) 4L60E (Snaps on Valve Body Plate) ....	93-ON	1	4L60E.FIL03
<b>BANDS</b>				
500B	Second & Fourth Band (2 Tang) Retros All .....	82-94	1	TH700.BAN01
500B	Second & Fourth Band (Extra Wide 66.67mm) .....	82-94	1	TH700.BAN02
500B	Second & Fourth Band (Wide With Carbon Lining).....	82-ON	1	TH700.BAN03
500B	Second & Fourth Band (Wide High Energy Lining).....	82-ON	1	TH700.BAN04
500B	Second & Fourth Band (Alto) (Heavy Duty Red Lining).....	82-ON	1	TH700.BAN05
500B	Second & Fourth Band 4L60E (2 Tang) (Hi-Energy Lining).....	95-ON	1	4L60E.BAN01
<b>BUSHES</b>				
Kit	Bush Kit (30 Spline) .....	82-ON	1	TH700.BK01
Kit	Stator Bushings.....	82-ON	1	TH700.BUS15
550A	Front Pump Bush (Babbitt) .....	82-ON	1	TH700.BUS01
550A	Front Pump Bush (Dura Life)....	82-ON	1	TH700.BUS03
551A	Stator (Front) 22.86mm ID .....	82-E84	1	TH700.BUS11
551A	Stator (Front) 25.40mm ID .....	L84-ON	1	TH700.BUS06
552A	Stator (Rear) 11mm Wide .....	82-91	1	TH700.BUS04
553B	Reverse Input Housing (Front)..	82-ON	1	TH700.BUS12
554B	Reverse Input Housing (Rear) ..	82-ON	1	TH700.BUS13
556C	Input Sun Gear (Front).....	82-ON	1	TH700.BUS07
557C	Input Sun Gear (Rear) .....	82-ON	1	TH700.BUS07
558C	Reaction Carrier Shaft (Front)...	82-ON	1	TH700.BUS08
559C	Reaction Carrier Shaft (Rear) ...	82-ON	1	TH700.BUS09
560D	Reaction Sun Gear .....	82-ON	1	TH700.BUS10
560D	Reaction Sun Gear (Wide) (Sonnax) .....	82-ON	1	TH700.BUS14
564E	Case Bronze .....	82-ON	1	TH700.BUS05
564E	Case Oversize (Sonnax).....	82-ON	1	4L60E.BUS10
565E	Extension Housing Babbitt.....	82-ON	1	TH700.BUS02
565E	Extension Housing (Teflon Coated) .....	82-ON	1	4L60E.BUS09
<b>THRUST WASHERS &amp; BEARINGS</b>				
Kit	Thrust Washer Kit .....	82-ON	1	TH700.TWK01
Kit	Thrust Bearing Kit .....	82-ON	1	TH700.TWK02
Kit	End Play Shim Kit (Sonnax Contains 10 x 0.38mm Shims for Adjusting Front End Play).....	82-ON	AR	TH700.TWK03
Kit	End Play Shim Kit (Sonnax Contains 10 x 0.254mm Shims for Adjusting Rear Unit End Play) .....	82-ON	AR	TH700.TWK04
600B	Pump to Reverse Drum .....	82-ON	1	TH700.THW01
604C	Reaction Shaft to Shell (Brass). 82-01	82-01	1	TH700.THW14
604C	Reaction Shaft to Shell, (The Beast) .....	82-01	1	TH700.THW03
604C	Reaction Shaft to Shell (Bearing Type) (4L65E) .....	02-ON	1	4L60E.TOR02
605D	Rear One Way Clutch Race To Driving Shell Washer.....	82-ON	1	TH700.THW19

# TH 700-R4 (4L60) 82-93, 4L60E 93-ON, 4L65E 02-ON

## 4 SPEED RWD (Electronic & Hydraulic Control)



AUTOMATIC CHOICE



THE AUTOMATIC TRANSMISSION PARTS WAREHOUSE

ILL NO.	DESCRIPTION	YEARS	QTY	PART NO
<b>THRUST WASHERS &amp; BEARINGS Cont...</b>				
650B	Stator Support to Input Drum Bearing.....	82-ON	1	TH700.THW02
651C	Input Drum to Sun Gear.....	82-ON	1	TH700.THW11
653C	Input Carrier to Reaction Shaft Bearing.....	82-ON	1	TH700.THW18
653C	Input Carrier to Reaction Shaft Bearing (4L65E).....	01-ON	1	4L60E.TOR01
654D	Rear Planet to Support.....	82-ON	1	TH700.THW16
655D	Reaction Gear Support To Case Bearing.....	82-ON	1	TH700.THW18
<b>ELECTRICAL COMPONENTS</b>				
Kit	Solenoid, Master Kit 4L60E (Manifold Press Switch Not Included).....	93-95	1	4L60E.SOL10
Kit	ECM Harness Repair Kit.....	93-ON	1	4L60E.ELE08
Kit	Inhibitor Switch Repair Kit.....	95-ON	1	4L60E.ELE10
Kit	External Harness Repair Kit (13 Wire, Plugs into Connector).....	93-98	1	4L60E.ELE12
700E	Solenoid, (3-2 Down Shift) (PWM) Round (Front) (Gray Connector) 4L60E.....	93-95	1	4L60E.SOL01
700E	Solenoid, (3-2 Down Shift) (Teckpack) 4L60E.....	93-95	1	4L60E.SOL02
700E	Solenoid, (3-2 Down Shift) (On-Off) (White Connector).....	96-ON	1	4L60E.SOL05
701E	Solenoid, 'A' 2-3 Shift 4L60E.....	93-ON	1	4L60E.SOL04
701E	Solenoid, 'A' 2-3 Shift 4L60E (Teckpack).....	93-ON	1	4L60E.SOL03
702E	Solenoid, 'B' 1-2 & 3-4 Shift (4L60E).....	93-ON	1	4L60E.SOL04
702E	Solenoid, 'B' 1-2 & 3-4 Shift 4L60E (Teckpack).....	93-ON	1	4L60E.SOL03
703E	Solenoid, Pressure Control 4L60E (EPC) (Borg Warner).....	93-02	1	4L30E.SOL01
703E	Solenoid, Pressure Control 4L60E (EPC).....	03-ON	1	4L60E.SOL06
704E	Solenoid, TCC Type 9 (Orange) (4L60).....	82-93	1	TH700.SOL04
704E	Solenoid, TCC Universal (Teckpack).....	82-ON	1	TH700.SOL03
704E	Solenoid, TCC PWM Type (Round) (Front) 4L60E.....	95-ON	1	4L60E.SOL01
704E	Solenoid, TCC With Harness (Olive Green Connector).....	94-95	1	4L60E.ELE15
704E	Solenoid, TCC With Harness.....	03-ON	1	4L60E.ELE09
704E	Solenoid, TCC With Harness (4L60E, 4L65E).....	06-ON	1	4L60E.ELE14
705E	Replacement TCC Solenoid Snout (Aluminium Non PWM Sonnax).....	82-ON	1	TH700.SOL05
705E	Replacement TCC Solenoid Snout (Aluminium PWM Sonnax).....	95-ON	1	TH700.SOL06
706E	Solenoid, (TCC Control PWM) (Gray Connector) 4L60E.....	95-ON	1	4L60E.SOL01
Kit	Switch, 4th Gear Lock-Up Delay Kits (Superior®).....	82-93	1	TH700.ELE10
NI	Switch, 4th Gear Pressure 4L60 1 Prong.....	82-93	1	TH700.ELE02
NI	Switch, TCC Signal 4L60 (1 Prong) (Normally Open).....	82-93	1	TH700.ELE03
NI	Switch, 4-3 Pulse 4L60 (On Valve Body, 2 Prong) (Normally Closed).....	82-93	1	TH700.ELE04
NI	Switch, Temperature 4L60.....	82-93	1	TH700.ELE07

ILL NO.	DESCRIPTION	YEARS	QTY	PART NO
<b>ELECTRICAL COMPONENTS Cont...</b>				
NI	Switch, 4L60E Manifold Pressure Switch.....	93-ON	1	4L60E.ELE02
NI	Switch, 4L60E MLP Sensor (PRNDL) (Trucks).....	93-03	1	4L60E.ELE03
NI	Switch, Park/Neutral, Backup (Single Plug 11 Pin).....	04-ON	1	4L60E.ELE07
NI	Sensor, 4L60E Vehicle Speed Sensor (VSS) (Also 96 Corvette).....	93-E96	1	4L60E.ELE04
NI	Sensor, 4L60E Vehicle Speed Sensor (VSS) (Exc 96 Corvette).....	L96-ON	1	4L60E.ELE06
NI	Turbine Speed Sensor (4L60E/4L65E).....	06-ON	1	4L60E.ELE13
NI	Solenoid, TCC & Wire Harness, (Replaces All 93-96 OE Harnesses) 4L60E.....	93-02	1	4L60E.ELE05
NI	Bracket, EPC Solenoid (Second Design).....	93-ON	1	TH700.RET01
NI	Case Connector (3 Prong).....	82-93	1	TH700.ELE09
<b>VALVE BODY PARTS</b>				
750E	Valve Body 4L60E (Remanufactured) (Cut Corner, Offset EPC).....	04-ON	1	4L60E.VB06
751E	Plate, Valve Body (Stamp # BV) (All "B" Series Interchange).....	88-91	1	TH700.VBP01
751E	Plate, Valve Body (Stamp # BY) (All "B" Series Interchange).....	88-91	1	TH700.VB12
751E	Plate, Valve Body (Universal - Replaces All 4L60/700-R4's) (Transgo).....	82-93	1	TH700.VB16
751E	Plate, Valve Body (Universal - Replaces All 4L60E Codes JV-LE) (Transgo).....	93-94	1	TH700.VB13
751E	Plate, Valve Body (Universal - Replaces All 4L60E Codes MP-NH) (Transgo).....	1995	1	TH700.VB14
751E	Plate, Valve Body (Universal - Replaces All 4L60E Codes PA-SD) (Transgo).....	96-01	1	TH700.VB15
751E	Plate, Valve Body (Bonded) (V8 Engine) (4L60E, 4L70E, 4L75E).....	06-ON	1	4L60E.GAS08
Kit	Valve Body Shift Kit®, 4L60 (Transgo Senior).....	82-93	1	TH700.SK01
Kit	Valve Body Shift Kit®, 4L60 (Transgo Junior).....	82-93	1	TH700.SK02
Kit	Valve Body Shift Kit®, 4L60E (Transgo Junior).....	93-ON	1	4L60E.SK01
Kit	Reprogramming Kit™, 700-R4 Hi-Perf & HD Automatic or Manual Shift (Transgo®).....	82-93	1	TH700.SK03
Kit	Upshift Sleeve, (Superior) (Full Throttle 3-4 Upshift) 4L60.....	82-93	1	TH700.VA18
Kit	TH700/4L60 Hydraulic Lock Up (Superior).....	82-93	1	TH700.VA19
Kit	Boost Valve & Sleeve Kit, With 'O' Rings (12.45mm Sonnax).....	93-ON	1	4L60E.VA04
Kit	TCC Regulator Valve Kit (Sonnax).....	93-97	1	4L60E.VA05
Kit	TCC Regulator Valve Kit (Sonnax).....	97-ON	1	4L60E.VA06
NI	Reamer (Sonnax) Needed For (4L60E.VA05 & VA06) Above (Use for Non GM Serviced Valve Bodies Only).....	93-ON		4L60E.TOOL02



# TH 700-R4 (4L60) 82-93, 4L60E 93-ON, 4L65E 02-ON

## 4 SPEED RWD (Electronic & Hydraulic Control)



AUTOMATIC CHOICE



THE AUTOMATIC TRANSMISSION PARTS WAREHOUSE

ILL NO.	DESCRIPTION	YEARS	QTY	PART NO
<b>VALVE BODY PARTS Cont...</b>				
NI	Reamer (Sonnax) Needed For (4L60E.VA05 & VA06) Above (Use with GM Serviced Valve Bodies Only "SERV" Stamped Near Casting No) .....	93-ON		<b>4L60E.VA16</b>
Kit	Boost Valve & Sleeve Kit (Sonnax) With 'O' Rings (11.93mm) .....	93-ON	1	<b>4L60E.VA07</b>
Kit	Actuator Feed limit valve Kit (Sonnax) .....	93-ON	1	<b>4L60E.VA08</b>
Kit	Reamer Kit for 4L60E.VA08 (Sonnax) .....	93-ON		<b>4L60E.VA09</b>
Kit	Kit, Lock-up In 4th Gear Only (In Valve Body) 4L60 (2 Valves, 1 Sleeve, 1 Spring)...	82-93	1	<b>TH700.VA01</b>
Kit	Pressure Regulator Valve Kit (Sonnax) 4L60E (Requires TH700.TOOL01).....	82-93	1	<b>TH700.VA03</b>
Kit	Throttle Valve & Plunger Kit (Sonnax) 4L60 "93".....	82-93	1	<b>TH700.VA14</b>
Kit	Throttle Valve & Plunger Kit (Sonnax) 4L60 "94".....	82-93	1	<b>TH700.VA13</b>
Kit	Throttle Valve & Plunger Kit (Sonnax) High Performance 4L60 .....	82-93	1	<b>TH700.VA15</b>
Kit	Throttle Boost Valve & Sleeve Kit (Sonnax) 10.744mm Dia .....	82-93	1	<b>TH700.VA17</b>
Kit	Check Ball Repair Kit, Fixes 5 Valve Body Plate Holes Most w/ 1/4" Check Balls .....	82-ON	1	<b>TH700.VB11</b>
Kit	Oversized Accumulator Pin & Reamer Kit 4L60 (Sonnax)....	82-93	1	<b>TH700.TOOL03</b>
Kit	4L60E, 3-4 Relay Valve Plug and 'O' Ring Kit (Sonnax) .	93-ON	1	<b>4L60E.PLU01</b>
Kit	4L60E, Reverse Boost Valve Oversize (12.446mm) (Factory Style, Sonnax @).....	93-ON	1	<b>4L60E.VA11</b>
Kit	4L60E, 4-3 Sequence Valve Oversize Req 4L60E.VA15 Reamer to Fit (Sonnax) .....	93-ON	1	<b>4L60E.VA14</b>
Kit	Reamer for 4L60E.VA14 .....	93-ON	1	<b>4L60E.VA15</b>
Kit	TCC Upgrade for SRTA/GM Rebuilt Valve Bodies .....	95-ON	1	<b>4L60E.VA18</b>
Kit	4-3 Sequence Valve Kit (TH700) (Sonnax™).....	82-93	1	<b>TH700.VA21</b>
Kit	Forward + Reverse Abuse Valve Kit (4L60E/4L65E) (Sonnax@) .....	93-ON	1	<b>4L60E.VA19</b>
Kit	Reverse Boost Valve & Sleeve (4L65E, 4L70E) (Oversized 12.446mm EPC spool diameter for late pumps) (Sonnax@ <a href="#">Click Here for Info</a> ) ...	93-ON	1	<b>4L60E.VA21</b>
Kit	Oversized Throttle Valve 4L60 (Sonnax, Requires Reamer (TH700.TOOL05) .....	82-93	1	<b>TH700.VA16</b>
Kit	Reamer For TH700.VA16 .....	82-93		<b>TH700.TOOL05</b>
Kit	Isolator Valve Sleeve & Clip (Requires Reamer 4L60E.VA22) (Sonnax@ <a href="#">Click Here for Info</a> ) ...	93-ON	1	<b>4L60E.VA17</b>
Kit	Reamer for 4L60E.VA17 (Sonnax@ <a href="#">Click Here for Info</a> ) ...	93-ON	1	<b>4L60E.VA22</b>
NI	Pinless Forward Accumulator Piston (Sonnax@).....	82-ON	1	<b>TH700.ACC16</b>
NI	Forward Accumulator Piston (Aluminium to Replace Plastic). 82-ON		1	<b>TH700.ACC17</b>
Kit	Pressure Regulator Valve 4L60E (Sonnax) Requires Use of TH700.TOOL01 Reamer.....	93-ON	1	<b>4L60E.VA02</b>
Kit	Line Pressure Booster Kit (Long) (4L60E, 4L65E, 4L70E) (Sonnax@ <a href="#">Click here for Info</a> ) ...	39-ON	1	<b>4L60E.VA25</b>

ILL NO.	DESCRIPTION	YEARS	QTY	PART NO
<b>VALVE BODY PARTS Cont...</b>				
Kit	Line Pressure Booster Kit (Short) (4L60E, 4L65E, 4L70E) (Sonnax@ <a href="#">Click here for Info</a> ) ...	39-ON	1	<b>4L60E.VA26</b>
Kit	Line Pressure Booster Kit (TH700 R4, 4L60) (Sonnax@ <a href="#">Click here for Info</a> ) ...	39-ON	1	<b>TH700.VA23</b>
NI	TCC Apply Valve, Aluminium with Teflon® Seal (Sonnax).....	93-ON	1	<b>4L60E.VA03</b>
NI	Wiring Harness Connector Bracket (Sonnax) .....	93-ON	1	<b>4L60E.VA12</b>
NI	TV Helper Spring 4L60 .....	82-93	1	<b>TH700.SPR02</b>
NI	Reverse Boost Valve ('O' Ring Type Sonnax) .....	82-93	1	<b>TH700.VA02</b>
NI	TCC Apply Valve (Sonnax) (4L60 & 4L60E Non PWM) .....	82-ON	1	<b>TH700.VA04</b>
NI	Throttle Boost Valve 4L60 11.963mm Dia (Sonnax) .....	82-93	1	<b>TH700.VA05</b>
NI	Throttle Boost Valve 4L60 12.70mm Dia (Sonnax) .....	82-93	1	<b>TH700.VA06</b>
NI	Accumulator Valve Train Assy (8.00mm Dia Light Vehicles) (Sonnax) .....	82-ON	1	<b>TH700.VA07</b>
NI	Accumulator Valve Train Assy (8.382mm Dia Medium Vehicles) (Sonnax) .....	82-ON	1	<b>TH700.VA08</b>
NI	Accumulator Valve Train Assy (8.661mm Dia Heavy Vehicles) (Sonnax) .....	82-ON	1	<b>TH700.VA09</b>
NI	Check Valve, Servo Release (Sonnax) .....	82-ON	1	<b>TH700.VA12</b>
NI	Plate Saver, (Inserts Between Accumulator Cover to Valve Body Plate).....	82-ON	1	<b>TH700.VB10</b>
NI	2-2 Control Valve Spring (4L60E) (Sonnax™).....	93-ON	1	<b>TH700.VA20</b>
NI	3-2 Control/Reverse Abuse Bore Plug (Sonnax @).....	93-ON	1	<b>4L60E.VA13</b>
NI	Low-Overrun/Forward Abuse Bore Plug (Sonnax @).....	93-ON	1	<b>4L60E.VA13</b>
NI	Aluminium 2-3 Shift Valve (Sonnax@ <a href="#">Click Here for Info</a> ) ...	93-ON	1	<b>4L60E.VA20</b>
NI	Performance 2-3 Shift Valve (Sonnax@ <a href="#">Click Here for Info</a> ) ...	93-ON	1	<b>4L60E.VA24</b>
NI	Valve & Bushing Assembly (TransGo@ <a href="#">Click Here for Info</a> ) .	82-ON	1	<b>TH700.VA22</b>
<b>HARD PARTS</b>				
800A	Pump, Small (22.86mm) Input Shaft (Stator Cast # 031 or 025) (Body Cast # 380) 4L60 .....	82-E84	1	<b>TH700.PUM01</b>
800A	Pump, Large (25.40mm) Input Shaft (Non Auxiliary Type) (Stator Cast # 025, 031, 304, or 570) (Body Cast # 132, 303, 380, or 732) (025 & 031 Stator Fits 380 Body) (570 & 304 Stator Fits 132,303,732 Body).....	L84-03/87	1	<b>TH700.PUM05</b>
800A	Pump, Large Input Shaft (Auxiliary Valve Body Type) (Stator Cast # 570, 596, 612, or 828) (Body Cast # 132, 303, or 732). 04/87-93		1	<b>TH700.PUM07</b>
800A	Pump, (1 Piece Case) Non PWM.....	93-94	1	<b>4L60E.PUM01</b>
800A	Pump, (1 Piece Case) PWM.....	94-96	1	<b>4L60E.PUM03</b>
800A	Pump, (2 Piece Case) (298mm Converter).....	96-E04	1	<b>4L60E.PUM04</b>
800A	Pump, (Without 'O' Ring) (298mm Converter).....	04-ON	1	<b>4L60E.PUM06</b>

# TH 700-R4 (4L60) 82-93, 4L60E 93-ON, 4L65E 02-ON 4 SPEED RWD (Electronic & Hydraulic Control)



AUTOMATIC CHOICE



THE AUTOMATIC TRANSMISSION PARTS WAREHOUSE

ILL NO.	DESCRIPTION	YEARS	QTY	PART NO
<b>HARD PARTS Cont...</b>				
800A	Pump, (2 Piece Case) (310mm Converter).....	97-E04	1	<b>4L60E.PUM05</b>
800A	Pump, (Without 'O' Ring) (310mm Converter).....	04-ON	1	<b>4L60E.PUM07</b>
800A	Pump, (4L65E) (With Input Speed Sensor Hole and 177.80mm Stator) .....	06-ON	1	<b>4L60E.PUM12</b>
800A	Pump, (4L65E) (With Input Speed Sensor Hole and 165.10mm Stator) .....	06-ON	1	<b>4L60E.PUM13</b>
801A	Pump Slide, Aftermarket (17.955mm) (For 13 Vane Rotor) 4L60E.....	97-ON	1	<b>TH700.PUM18</b>
801A	Pump Slide, OEM (17.968mm) (For 13 Vane Rotor) 4L60E.....	97-ON	1	<b>TH700.PUM04</b>
802A	Rotor Kit, 10 Vane (17.95mm Rotor) (Heavy Duty).....	82-96	1	<b>TH700.PUM02</b>
803A	Rotor Kit, 13 Vane (17.967mm) (With Slide) .....	97-ON	1	<b>4L60E.PUM02</b>
803A	Rotor Kit, 13 Vane (17.967mm OEM) (Without Slide #801) .....	97-ON	1	<b>4L60E.PUM08</b>
804A	Ring, Pump Rotor to Vane (Black Steel).....	82-ON	2	<b>TH700.PUM03</b>
805A	Vane Kit (Package of 13) .....	82-ON	1	<b>TH700.PUM08</b>
806A	Rotor Guide, 7 Vane 4L60 .....	82-93	1	<b>TH700.PUM12</b>
806A	Rotor Guide, 10 Vane .....	82-96	1	<b>TH700.PUM16</b>
806A	Rotor Guide, 13 Vane 4L60E.....	87-ON	1	<b>TH700.PUM19</b>
807A	Vane & Ring Kit, (10 Vane, Heavy Duty).....	82-96	1	<b>TH700.PUM13</b>
808A	Stator Support Shaft (Sonnax) (298mm Converter).....	82-98	1	<b>TH700.PUM14</b>
809A	Rotor, 10 Vane .....	82-96	1	<b>TH700.PUM15</b>
809A	Rotor, 13 Vane (17.957mm Thick) .....	97-ON	1	<b>TH700.PUM20</b>
NI	Pin, Pump Slide Pivot (Sonnax) .....	82-ON	1	<b>TH700.PUM17</b>
810B	Reverse Input (w/ Check Ball) (Steel) .....	82-02/87	1	<b>TH700.DRU01</b>
810B	Reverse Input (No Check Ball) (Has Round Oil Holes In Bore) .	03/87-93	1	<b>TH700.DRU02</b>
810B	Drum, Reverse Input (No Check Ball) (Large Feed Hole).....	3/87-ON	1	<b>4L60E.DRU01</b>
810B	Drum Assy, Reverse Input (Replacement Kit) .....	82-ON	1	<b>TH700.DRU04</b>
811C	Input & Shaft w/ Pilot, (Exc 2.8L or 4 Cyl) (298mm/ 30 Spl Converter).....	87-ON	1	<b>TH700.DRU03</b>
811C	Input & Shaft no Pilot, (2.8L & 4 Cyl) (245mm/ 27 Spl Converter).....	82-ON	1	<b>TH700.DRU06</b>
811C	Input & Shaft (30 Spline 'O' Ring Behind Spline) .....	98-ON	1	<b>4L60E.DRU03</b>
Kit	Input Drum Reinforcement Sleeve, Seal & Piston Kit (Sonnax@ <a href="#">Click Here for Info</a> ) ...	82-ON	1	<b>4L60E.PIS06</b>
815C	Forward Sprag (26 Element).....	L82-86	1	<b>TH180.OWC01</b>
815C	Sprag, Forward Clutch (29 Elements, Dual Cage Use With <b>TH700.OWC03</b> ).....	87-ON	1	<b>TH700.OWC04</b>
818C	Sprag Assembly, Forward Clutch (29 Elements, Does Not Include Sprag, Use <b>TH700.OWC04</b> ) .....	87-E95	1	<b>TH700.OWC16</b>
818C	Sprag Assembly, 4L60E, Forward Clutch (29 Elements, Does Not Include Sprag, Use <b>TH700.OWC04</b> ) .....	L95-ON	1	<b>TH700.OWC03</b>
819C	Retainer, 3-4 Clutch 4 Tab (Tin) 4L60.....	82-93	1	<b>TH700.RET04</b>
824C	Sun Gear, Input (Front).....	L82-ON	1	<b>TH700.SUN01</b>
825C	Front Planetary (w/ Batwing Washers) (4 Pinion).....	82-ON	1	<b>TH700.PL01</b>

ILL NO.	DESCRIPTION	YEARS	QTY	PART NO
<b>HARD PARTS Cont...</b>				
825C	Front Planetary (5 Pinion, Retro Fits All) .....	82-ON	1	<b>TH700.PL09</b>
825C	Front Planetary Kit (5 Pinion, With Shaft) .....	01-ON	1	<b>TH700.PL10</b>
826C	Ring Gear, Front Planet (34.92mm Long Clutch Spline) .	82-ON	1	<b>TH700.PL07</b>
827C	Hub w/ Shaft, Reaction Carrier (4L60).....	82-93	1	<b>TH700.PL03</b>
827C	Hub w/ Shaft, Reaction Carrier (4L60E) (Use With 4L60E.TOR02) .....	93-ON	1	<b>4L60E.PL03</b>
828D	Shell, Reaction Sun (Std) (Washer Type).....	82-ON	1	<b>TH700.POT01</b>
828D	Shell, Reaction Sun (Hardened) (Washer Type).....	82-ON	1	<b>TH700.POT02</b>
828D	Shell, Reaction Sun (Hardened) (Bearing Type) .....	02-ON	1	<b>TH700.POT03</b>
828D	Shell, Reaction Sun (Smart Shell®) (Sonnax@ <a href="#">Click here for Info</a> ) .	02-ON	1	<b>TH700.POT04</b>
829D	Sun Gear, Reaction (Rear) .....	82-ON	1	<b>TH700.SUN02</b>
833D	Sprag, Low/ Reverse (Wide Plastic Cage) .....	86-96	1	<b>TH700.OWC01</b>
834aD	Centre Support Assembly (With Low/Rev OWC Assy) .....	86-ON	1	<b>TH700.OWC05</b>
834bD	Inner & Outer Races Low/Rev Late Wide Type .....	87-E95	1	<b>TH700.OWC15</b>
835D	Rear Planetary (with Bat Wing Washers & with Oil Slinger) (Can Use TH700.PL06) .....	82-ON	1	<b>TH700.PL05</b>
835D	Rear Planetary (with Bat Wing Washers without Oil Slinger) (Can Use TH700.PL05) .....	82-ON	1	<b>TH700.PL06</b>
835D	Rear Planetary (5 Pinion) (Retrofits) .....	82-ON	1	<b>TH700.PL08</b>
837D	Ring Gear, Rear (Hardened).....	82-ON	1	<b>TH700.PL02</b>
838D	Hub, Support Internal Reaction Gear Late (Cut For Oil Slinger) .	82-ON	1	<b>TH700.PL04</b>
841D	Reluctor Ring Speed Sensor (40Teeth).....	82-ON	1	<b>TH700.GE02</b>
843D	Piston, Low/ Reverse Clutch (Aluminium).....	93-ON	1	<b>4L60E.PIS04</b>
844D	Reverse Piston Kit (Exc 2.8) .....	2/87-ON	1	<b>TH700.PIS04</b>
845E	Servo Assembly, 2-4 (Cast D758 # 8642093) (Corvette) High Output.....	82-ON	1	<b>TH700.SER01</b>
845E	Servo Assembly, 2-4 (Cast # 553) Medium Output.....	82-ON	1	<b>TH700.SER02</b>
845E	Servo Assembly, 2-4 (Cast # 554) Low Output.....	82-ON	1	<b>TH700.SER03</b>
847E	Piston, 4th Servo (Super Hold) (Sonnax®).....	82-ON	1	<b>TH700.ACC11</b>
Kit	Replacement Seal Kit for Sonnax 4th Gear "Super Hold" Servo (TH700.SER04) .....	82-ON	1	<b>TH700.SRK05</b>
848E	2nd Gear Super Hold Servo Assy (Sonnax®).....	82-ON	1	<b>TH700.ACC19</b>
848E	2nd Gear Small Size Servo.....	82-ON	1	<b>TH700.SER08</b>
848E	2nd Gear Super Servo (Superior ®) .....	82-ON	1	<b>TH700.SER07</b>
848E	Piston 2nd Servo (4L70E).....	06-ON	1	<b>4L60E.SER01</b>
850E	Pin, 2nd Apply (1 Ring) .....	82-ON	AR	<b>TH700.PIN01</b>
850E	Pin, 2nd Apply (2 Ring) .....	82-ON	AR	<b>TH700.PIN02</b>
850E	Pin, 2nd Apply (3 Ring, & 1 Wide Band).....	82-ON	AR	<b>TH700.PIN03</b>
851E	Main Case 4X4 TH700 R4 Non Aux V.B. (Not 2.8L or 4.3L).....	82-ON	1	<b>TH700.CAS01</b>
852E	Kit, Governor Gear 4L60.....	82-93	1	<b>TH700.GOV01</b>
853E	Governor, w/ 4mm Square Weight (Petrol 6 & 8 Cyl.) 4L60.....	82-93	1	<b>TH700.GOV02</b>



# TH 700-R4 (4L60) 82-93, 4L60E 93-ON, 4L65E 02-ON 4 SPEED RWD (Electronic & Hydraulic Control)



AUTOMATIC CHOICE

ILL NO.	DESCRIPTION	YEARS	QTY	PART NO
<b>HARD PARTS Cont...</b>				
853E	Governor, w/ 4.57mm Square Weight (Diesel) 4L60.....	82-93	1	TH700.GOV03
853E	Governor, w/ 2.74mm Square Weight (Petrol 8 Cyl.) 4L60.....	82-93	1	TH700.GOV04
853E	Governor, w/ 1.5mm Pointed Weight (Z-28/Corvette) 4L60.....	82-93	1	TH700.GOV05
854E	Cover, Governor.....	82-93	1	TH700.COV01
855E	Repair Kit, 3-4 Accumulator (Repair Sleeve, Piston & Pin) (Sonnax) .....	82-ON	1	TH700.SL01
856E	Pin & Reamer Kit 1-2 & 3-4 Accumulator (10 Pins & 1 Reamer) 4L60 .....	82-93	AR	TH700.TOOL03
856E	Pin & Reamer Kit 1-2 & 3-4 Accumulator (10 Pins & 1 Reamer) 4L60E....	93-ON	AR	4L60E.PIN02
856E	Pin, 1-2 & 3-4 Accumulator (Oversize) (Requires Reamer see TH700.TOOL03) (Sonnax Pack of 4) 4L60 .....	82-93	AR	TH700.PIN04
856E	Pin, 1-2 & 3-4 Accumulator (Oversize) (Requires Reamer in 4L60E.PIN02) (Sonnax Pack of 4) 4L60E.....	93-ON	AR	4L60E.PIN01
857E	Piston Kit, 1-2 Accumulator (5.84mm Pin Dia) 4L60E.....	93-ON	1	TH700.ACC10
857E	Piston Aluminium, 1-2 Accumulator (5.99mm Pin Dia) 4L65E.....	03-05	1	TH700.ACC18
858E	Cover, 1-2 Accumulator (4L60).....	82-93	1	TH700.ACC15
859E	Cooler, Transmission Pan Type (Derale).....	82-ON	1	TH700.PAN02
860E	Housing, Speedo Driven Gear (40 - 45 Teeth).....	82-93	1	TH700.GE03
861B	Piston, Reverse Input Clutch (Aluminium 3 Plate Units) .....	82-96	1	TH700.PIS01
862E	Retaining Bracket, Speedometer Gear Housing .....	82-ON	1	TH700.RET05
NI	Piston Kit, 1-2 & 3-4 Accumulator (7.87mm Pin Dia) (Exc 2.8L).....	82-93	1	TH700.ACC02
NI	Kit, 1-2 & 3-4 Pin less Accumulator Piston (Sonnax) ...	82-ON	1	TH700.ACC14
NI	Detent/Selector Shaft.....	82-ON	1	4L60E.SH01
NI	Second Apply Servo Kit (Sonnax ®).....	82-ON	1	TH700.SER06
<b>MISCELLANEOUS COMPONENTS</b>				
900A	Retainer, (Front Seal Lock) .....	82-ON	1	TH700.RET03
901E	Throttle Cable, Universal (Fitzall) .....	82-93	1	TH700.CAB01
902E	Filler Tube & Dip Stick, Fitz All (Teckpak) .....	82-ON	1	TH700.TUB01
NI	'Tear Drop' Clip, Throttle Cable End.....	82-93	1	TH700.CAB03
NI	Shortened Throttle Cable Link ..	82-93	1	TH700.LIN01
NI	Capsule, Reverse Piston (Package of 10).....	82-ON	AR	TH700.CAP01
NI	Throttle Cable Repair Kit.....	82-93	1	TH700.CAB04
NI	Inner Throttle Cable Repair Kit .	82-93	1	TH700.CAB05
NI	Capsule w/ Ck Ball, Input Drum (Fits In Turbine Shaft) .....	82-ON	1	TH700.CAP02
NI	Vacuum Pressure Control Kit (4L60E) (Replace Force Motor with Vacuum Modulator).....	93-ON	1	4L60E.MOD01
NI	Connector, Cooler Line (Push In) 4L60E.....	96-ON	2	4L60E.CON01
NI	Clip, Retaining Governor Cover (4L60).....	82-93	1	TH700.RET02
NI	Capsule w/ Ck Ball, Under Low/ Reverse Piston .....	82-ON	1	TH700.VA11

ILL NO.	DESCRIPTION	YEARS	QTY	PART NO
<b>MISCELLANEOUS COMPONENTS Cont...</b>				
NI	Check Valve, Servo Release (Sonnax) .....	82-ON	1	TH700.VA12
NI	Plastic Case Breather .....	82-ON	1	TH700.BRE01
NI	Metal Case Breather .....	93-ON	1	TH700.BRE02
Kit	Bolt Kit Bel Housing to Case (Contains 8 Bolts) .....	93-ON	1	4L60E.NUT01
<b>TOOLS &amp; MANUALS</b>				
NI	ATSG Rebuild Manual (4L60).....	82-86		TH700.MAN01
NI	ATSG Rebuild Manual (4L60).....	87-93		TH700.MAN02
NI	ATSG Update Manual (4L60).....	89-ON		TH700.MAN03
NI	ATSG Rebuild Manual (4L60E) .....	93-ON		4L60E.MAN01
NI	ATSG Update Manual (4L60E) .....	93-ON		4L60E.MAN02
NI	ATSG Diagnostic Manual (4L60E/4L80E).....	93-On		4L60E.MAN04
<a href="#">Click here to view special tools for this transmission</a>				



THE AUTOMATIC TRANSMISSION PARTS WAREHOUSE