

# TF-80SC (AF40), TF-81SC (AF21) 6 Speed FWD (Electronic Control) (Peugeot, Citroen, Ford, Volvo, Mazda, Opel, Vauxhall, Saab, Cadillac, Fiat, Renault, Alfa & Land Rover)

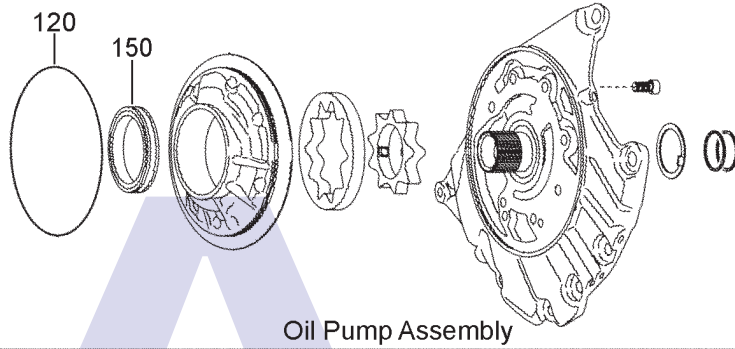


AUTOMATIC CHOICE



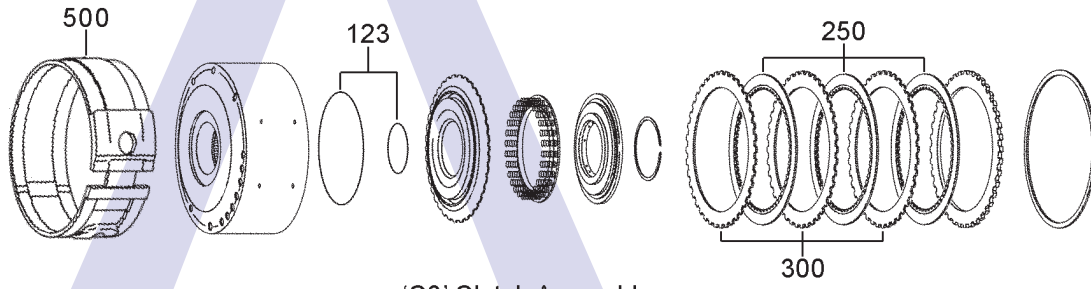
THE AUTOMATIC TRANSMISSION PARTS WAREHOUSE

A



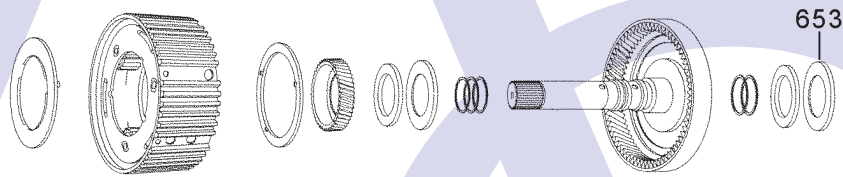
Oil Pump Assembly

B



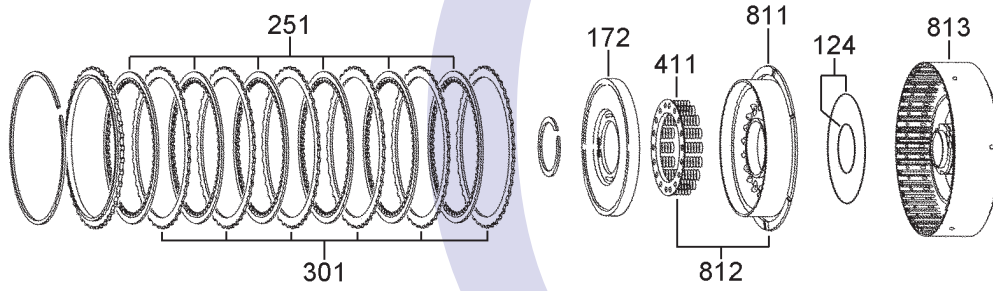
'C3' Clutch Assembly

C



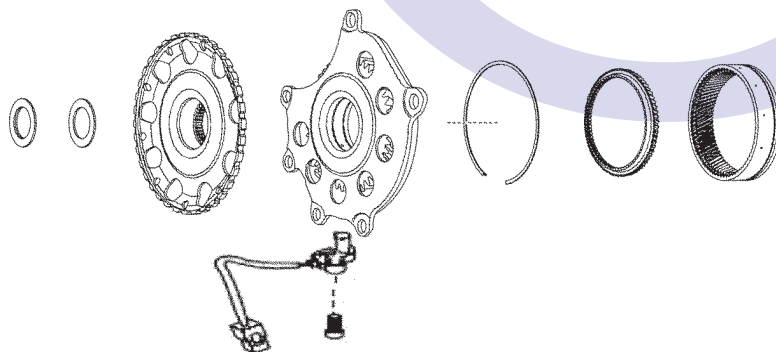
Front Planetary Assembly

D



'C1' Clutch Assembly

E



Counter Drive Gear Assembly

**TF-80SC (AF40), TF-81SC (AF21) 6 Speed FWD (Electronic Control)**  
 (Peugeot, Citroen, Ford, Volvo, Mazda, Opel, Vauxhall, Saab, Cadillac, Fiat, Renault & Alfa)

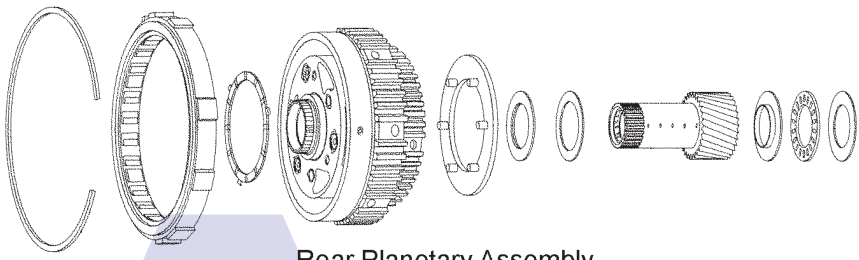


AUTOMATIC CHOICE



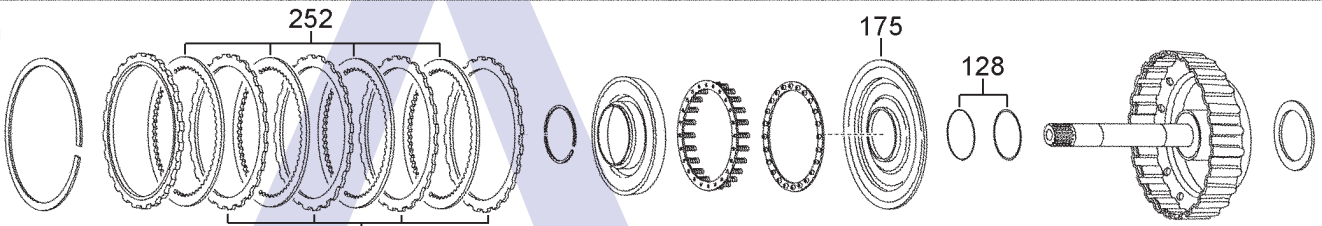
THE AUTOMATIC TRANSMISSION PARTS WAREHOUSE

F



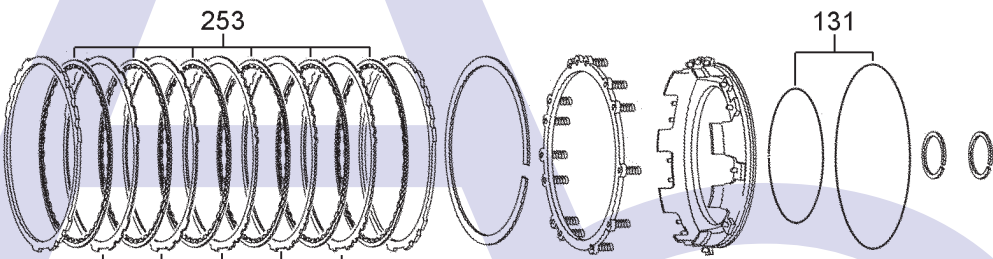
Rear Planetary Assembly

G



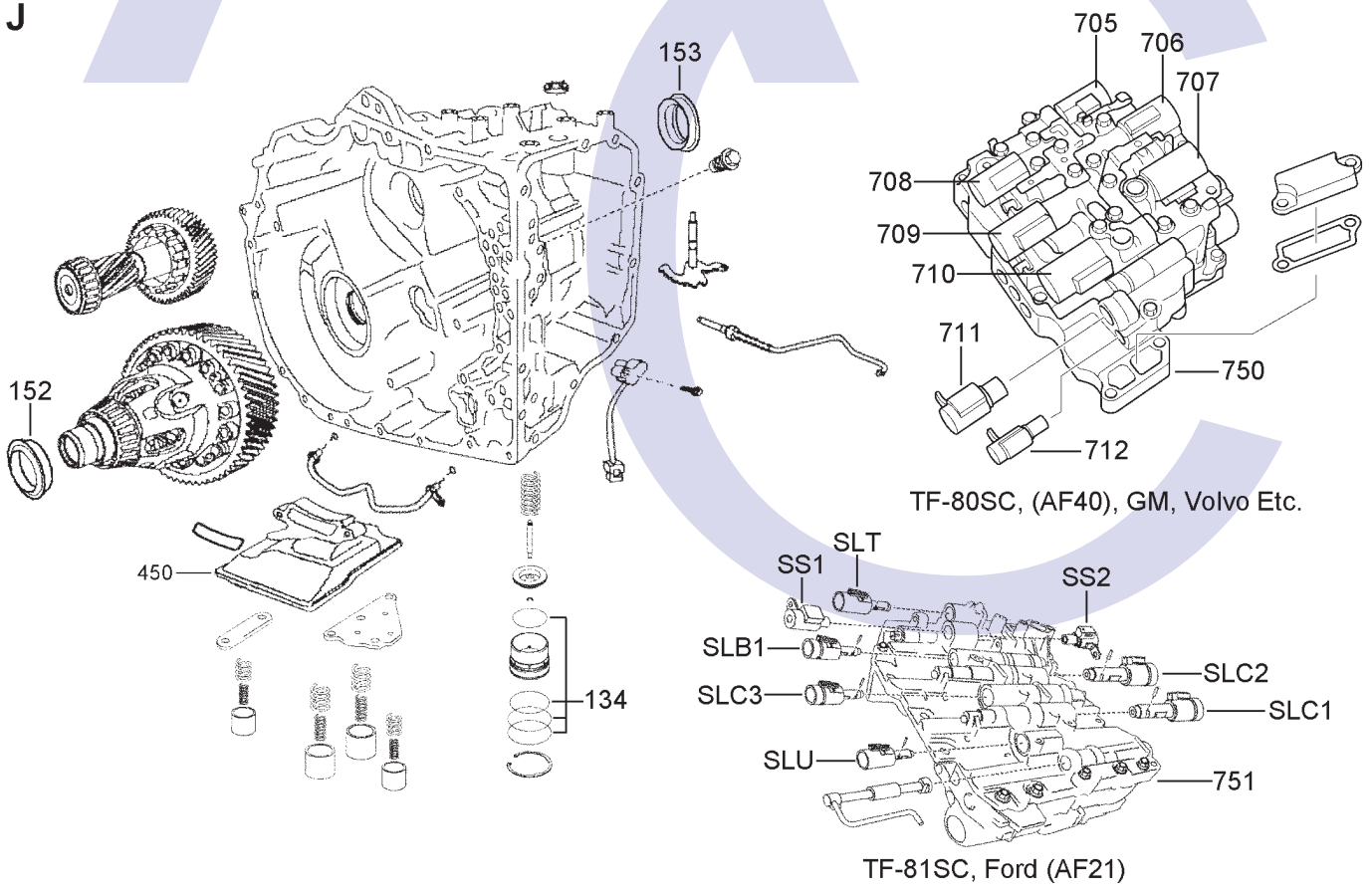
'C2' Clutch Assembly

H



'B2' Brake Assembly

J



TF-80SC, (AF40), GM, Volvo Etc.

TF-81SC, Ford (AF21)

# TF-80SC (AF40), TF-81SC (AF21) 6 Speed FWD (Electronic Control)

(Peugeot, Citroen, Ford, Volvo, Mazda, Opel, Vauxhall, Saab, Cadillac, Fiat, Renault & Alfa)



AUTOMATIC CHOICE

ILL NO.	DESCRIPTION	YEARS	QTY	PART NO
<b>KITS</b>				
Kit	Overhaul Kit TF80-SC Only (Transtec) (GM, Saab, Lancia, Fiat Vauxhall, Opel).....	05-ON	1	<b>AF40.OHK01</b>
Kit	Overhaul Kit TF-81SC, AF21(Transtec) 2005- Ford 500 & Mercury Montego 2006- Ford Fusion, Mercury Milan & Mazda 6 with 3.0Ltr Engines 2006- Lincoln MKZ/Zephyr 2007- Mazda CX-7 & CX-9 .....	05-ON	1	<b>AF40.OHK02</b>
Kit	Overhaul Kit (TF-80SC & TF-81SC) (Precision) (Volvo, Ford, Saab, Lancia, Fiat Peugeot) (Without Pistons).....	05-ON	1	<b>AF40.OHK51</b>
Kit	Overhaul Kit (TF-80SC & TF-81SC) (Precision) (Volvo, Ford, Saab, Lancia, Fiat Peugeot) (With Pistons).....	05-ON	1	<b>AF40.OHK52</b>
Kit	Overhaul Kit TF80-SC (Transtec) (Volvo).....	05-ON	1	<b>AF40.OHK03</b>
Kit	Valve Body Gasket Set (GM, Volvo).....	05-ON	1	<b>AF40.GK01</b>
<b>GASKETS</b>				
NI	Valve Body Cover .....	05-ON	1	<b>AF40.GAS01</b>
NI	Valve Body Cover (Volvo 12 Hole) .....	05-ON	1	<b>AF40.GAS02</b>
<b>RUBBER COMPONENTS</b>				
120A	'O' Ring, Pump Outer .....	05-ON	1	<b>4HP14.OR11</b>
123B	'O' Ring Kit (Precision) 'C3' Clutch.....	05-ON	1	<b>AF40.ORK02</b>
124D	'O' Ring Kit (Transtec), 'C1' Clutch.....	05-ON	1	<b>AF40.ORK01</b>
124D	'O' Ring Kit (Precision), 'C1' Clutch.....	05-ON	1	<b>AF40.ORK05</b>
128G	'O' Ring Kit (Precision) 'C2' Clutch.....	05-ON	1	<b>AF40.ORK04</b>
131H	'O' Ring Kit (Precision) 'B2' Brake.....	05-ON	1	<b>AF40.ORK06</b>
134J	'O' Ring Kit (Precision) 'B1' Servo Assembly .....	05-ON	1	<b>AF40.ORK03</b>
NI	Drive Shaft 'O' Ring Left Hand (Freelander) .....	05-ON	1	<b>AF40.OR02</b>
<b>METAL CLAD SEALS</b>				
150A	Pump to Converter.....	05-ON	1	<b>AF40.MCS01</b>
152J	Drive Shaft Right Hand (Vauxhall, Opel, Saab) .....	05-ON	1	<b>AF40.MCS04</b>
152J	Drive Shaft Right Hand (Citroen, Peugeot) (38.2mm x 55mm x 13.9mm)....	05-ON	1	<b>AF40.MCS08</b>
152J	Drive Shaft Right Hand (Outer 75.2 x 62 x 8) (Freelander, Volvo 4WD).....	05-ON	1	<b>AF40.MCS09</b>
152J	Drive Shaft Right Hand (Inner) (Freelander 55.5 x 34 x 7mm)..	05-ON	1	<b>AF40.MCS10</b>
152J	Drive Shaft Right Hand (Inner) (Volvo 4WD 45.5 x 34 x 6.8mm)05-ON	05-ON	1	<b>AF40.MCS12</b>
153J	Drive Shaft Left Hand (Vauxhall, Opel, Saab) .....	05-ON	1	<b>AF40.MCS03</b>
153J	Drive Shaft Left Hand (Citroen, Peugeot) (38.8mm x 63mm x 8.6mm) .....	05-ON	1	<b>AF40.MCS07</b>
153J	Drive Shaft Left Hand (Freelander 66.35 x 42 x 10.6)..	05-ON	1	<b>AF40.MCS11</b>
153J	Drive Shaft Left Hand (Volvo 4WD 63 x 39 x 8.5 mm) .	05-ON	1	<b>AF40.MCS13</b>

ILL NO.	DESCRIPTION	YEARS	QTY	PART NO
<b>METAL CLAD SEALS Cont...</b>				
NI	Drive Shaft (Volvo) (38mm x 75mm x 10/13mm) .....	05-ON	1	<b>AF40.MCS05</b>
NI	Drive Shaft (Volvo) (41mm x 66mm x 8.80mm).....	05-ON	1	<b>AF40.MCS06</b>
<b>MOULDED PISTONS</b>				
172D	Damper Piston 'C1' Clutch .....	05-ON	1	<b>AF40.PIS01</b>
175G	Piston 'C2' Clutch (Precision)....	05-ON	1	<b>AF40.PIS05</b>
<b>SEALING RINGS</b>				
Kit	Sealing Ring Kit (Transtec) .....	05-ON	1	<b>AF40.SRK01</b>
Kit	Sealing Ring Kit (Precision) .....	05-ON	1	<b>AF40.SRK03</b>
<b>FRICTION PLATES</b>				
Kit	Friction Plate (AM) .....	05-ON	1	<b>AF40.FRK01</b>
Kit	Friction Plate (Alto) AF40.....	05-ON	1	<b>AF40.FRK51</b>
Kit	Friction Plate (AM) 6 Cylinder ...	05-ON	1	<b>AF40.FRK02</b>
Kit	Friction Plate (Alto) 6 Cylinder ..	05-ON	1	<b>AF40.FRK52</b>
250B	'C3' Clutch (Reverse, 3rd & 5th) (166mm OD x 1.70mm x 54T) ..	05-ON	4	<b>AF40.FRP03</b>
250B	'C3' Clutch (Reverse, 3rd & 5th) (Alto) (166mm OD x 1.70mm x 54T) ..	05-ON	4	<b>AF40.FRP53</b>
251D	'C1' Clutch (1st, 2nd, 3rd, 4th) (157mm OD x 1.70mm x 54T) ..	05-ON	7	<b>AF40.FRP01</b>
251D	'C1' Clutch (1st, 2nd, 3rd, 4th) (Alto) (157mm OD x 1.70mm x 54T) ..	05-ON	7	<b>AF40.FRP51</b>
252G	'C2' Clutch (4th, 5th, 6th) (160mm OD x 1.70mm x 55T) ..	05-ON	4	<b>AF40.FRP02</b>
252G	'C2' Clutch (4th, 5th, 6th) (Alto) (160mm OD x 1.70mm x 55T) ..	05-ON	4	<b>AF40.FRP52</b>
253H	'B2' Brake (1st, Reverse) (185mm OD x 1.70mm x 60T) ..	05-ON	7	<b>AF40.FRP04</b>
253H	'B2' Brake (1st, Reverse) (Alto) (185mm OD x 1.70mm x 60T) ..	05-ON	7	<b>AF40.FRP54</b>
<b>STEEL PLATES</b>				
Kit	Steel Plate AF40-6.....	05-ON	1	<b>AF40.STK01</b>
300B	'C3' Clutch (Reverse, 3rd & 5th) (141mm ID x 2.31mm x 36T) ....	05-ON	4	<b>AF40.STP03</b>
301D	'C1' Clutch (1st, 2nd, 3rd, 4th) (141mm ID x 1.80mm x 40T) ....	05-ON	7	<b>AF40.STP01</b>
302G	'C2' Clutch (4th, 5th, 6th) (143mm ID x 1.80mm x 36T) ....	05-ON	4	<b>AF40.STP02</b>
303H	'B2' Brake (1st, Reverse) (173mm ID x 1.70mm x 14T) ....	05-ON	7	<b>AF40.STP04</b>
<b>PRESSURE PLATES</b>				
<b>SPRINGS &amp; CIRCLIPS</b>				
411D	Spring Assy, 'C1' Clutch Piston .	05-ON	1	<b>AF40.SPR01</b>
<b>FILTERS</b>				
450J	Pick-Up Filter .....	05-ON	1	<b>AF40.FIL01</b>



THE AUTOMATIC TRANSMISSION PARTS WAREHOUSE



# TF-80SC (AF40), TF-81SC (AF21) 6 Speed FWD (Electronic Control)

(Peugeot, Citroen, Ford, Volvo, Mazda, Opel, Vauxhall, Saab, Cadillac, Fiat, Renault & Alfa)



AUTOMATIC CHOICE



THE AUTOMATIC TRANSMISSION PARTS WAREHOUSE

ILL NO.	DESCRIPTION	YEARS	QTY	PART NO
<b>BANDS</b>				
500B	'B1' Brake Band (New Aftermarket).....	05-ON	1	AF40.BAN01
<b>BUSHINGS</b>				
<b>THRUST WASHERS &amp; BEARINGS</b>				
653C	Thrust Race, 'C1' Clutch (0.85mm Late Style) This race fits the late style clutch that has a smooth face without castellations. When updating from old style castellated drums this thrust race must also be replaced .....	05-ON	1	AF40.THW01
<b>ELECTRICAL COMPONENTS</b>				
705J	Solenoid, SLU (TF-80SC).....	05-ON	1	AF40.SOL02
706J	Solenoid, SLC3 (TF-80SC).....	05-ON	1	AF40.SOL05
707J	Solenoid, SLB1 (TF-80SC).....	05-ON	1	AF40.SOL06
708J	Solenoid, SLC1 (TF-80SC).....	05-ON	1	AF40.SOL03
709J	Solenoid, SLC2 (TF-80SC).....	05-ON	1	AF40.SOL04
710J	Solenoid, SLT (TF-80SC).....	05-ON	1	AF40.SOL06
711J	Solenoid, SS2 (TF-80SC) (3 Way Type).....	05-ON	1	AF40.SOL01
712J	Solenoid, SS1 (TF-80SC) (3 Way Type).....	05-ON	1	AF40.SOL01
<b>VALVE BODY PARTS</b>				
750J	Valve Body Assy (Vauxhall/Opel, Modified).....	05-ON	1	AF40.VB01
750J	Valve Body Assy (New OEM)....	05-ON	1	AF40.VB02
751J	Valve Body Assy (OEM) (Ford S-Max Galaxy).....	06-ON	1	AF40.VB06
Kit	C1/K1 Clutch Control Valve (Requires Tool AF40.VA02 & Fixture AG4.VA05) (Sonnax@ <a href="#">Click here for Info</a> ) ...	05-ON	1	AF40.VA01
Kit	Tool Kit for AF40.VA01 .....	05-ON	1	AF40.VA02
Kit	C2 Clutch Control Valve (Requires Tool AF40.VA04 & Fixture AG4.VA05) (Sonnax@ <a href="#">Click here for Info</a> ) ...	05-ON	1	AF40.VA03
Kit	Tool Kit for AF40.VA03 & VA05 .	05-ON	1	AF40.VA04
Kit	C3 Clutch Control Valve (Requires Tool AF40.VA04 & Fixture AG4.VA05) (Sonnax@ <a href="#">Click here for Info</a> ) ...	05-ON	1	AF40.VA05
Kit	B1 Control Valve (Requires Tool AF40.VA07 & Fixture AG4.VA05) (Sonnax@ <a href="#">Click here for Info</a> ) ...	05-ON	1	AF40.VA06
Kit	Tool Kit for AF40.VA06 .....	05-ON	1	AF40.VA07
Kit	Main Pressure Regulator & Boost Assy (Requires Tool AF40.VA09 & Fixture AG4.VA05) (Sonnax@ <a href="#">Click here for Info</a> ) ...	05-ON	1	AF40.VA08
Kit	Tool Kit for AF40.VA08 .....	05-ON	1	AF40.VA09
Kit	Lock Up Clutch Control Valve (Requires Tool AF40.VA11 & Fixture AG4.VA05 & Tool AF40.VA17) (Sonnax@ <a href="#">Click here for Info</a> ) ...	05-ON	1	AF40.VA10
Kit	Tool Kit for AF40.VA10 .....	05-ON	1	AF40.VA11
NI	Replacement Reamer for AF40.VA11		AR	AF40.VA22
NI	Adaptor Plate for Fixture AG4.VA05 (Use for Installing AF40.VA10)..	05-ON	AR	AF40.VA17

ILL NO.	DESCRIPTION	YEARS	QTY	PART NO
<b>VALVE BODY PARTS Cont...</b>				
Kit	Second Regulator Valve (Requires Tool AF40.VA14 & Fixture AG4.VA05) (Sonnax@ <a href="#">Click here for Info</a> ) ...	05-ON	1	AF40.VA13
Kit	Tool Kit for AF40.VA13 .....	05-ON	1	AF40.VA14
Kit	Solenoid Modulator Valve (Requires Tool AF40.VA16 & Fixture AG4.VA05) (Sonnax@ <a href="#">Click here for Info</a> ) ...	05-ON	1	AF40.VA15
Kit	Tool Kit for AF40.VA15 .....	05-ON	1	AF40.VA16
Kit	9mm Valve Body End Plug Kit (5 Plugs & 7 'O' Rings) (Sonnax@ <a href="#">Click here for Info</a> ) ...	05-ON	AR	AF40.PLU01
Kit	11mm Valve Body End Plug Kit (5 Plugs & 7 'O' Rings) (Sonnax@ <a href="#">Click here for Info</a> ) ...	05-ON	AR	AF40.PLU02
NI	Clutch, Band & Line Accumulator Piston (Sonnax@ <a href="#">Click here for Info</a> ) ...	05-ON	5	AF40.VA12
NI	Universal Valve Body Fixture (Sonnax@ <a href="#">Click here for Info</a> ) ...	05-ON	AR	AG4.VA05
Kit	Accumulator Piston & Sleeve (Sonnax@ <a href="#">Click here for Info</a> ) ...	05-ON	AR	AF40.VA20
Kit	Solenoid Modulator Accumulator Piston Kit (TF-81SC Only) (Sonnax@ <a href="#">Click here for Info</a> ) ...	05-ON	AR	AF40.VA21
<a href="#">Click here for complete TF-80SC Sonnax@ Valve Body Diagram</a>				
<a href="#">Click here for complete TF-81SC Sonnax@ Valve Body Diagram</a>				
<b>HARD PARTS</b>				
811D	Piston, 'C1' Clutch (Steel) .....	05-ON	1	AF40.PIS06
812D	Piston & Retaining Spring Assy (Steel 'C1' Clutch) .....	05-ON	1	AF40.PIS07
813D	'C1' Clutch Drum New (With Needle Bearing).....	05-ON	1	AF40.DRU10
813D	'C1' Clutch Drum New (7 Plate With Piston, No Fric)....	05-ON	1	AF40.DRU05
813D	'C1' Clutch Drum Exchange (Modified 7 Plate).....	05-ON	1	AF40.DRU02
813D	'C1' Clutch Drum Exchange (6 Plate W.Slots by Bearing) .....	05-ON	1	AF40.DRU03
813D	'C1' Clutch Drum Exchange (6 Plate W/O Slots by Bearing) .	05-ON	1	AF40.DRU04
813D	'C1' Clutch Drum (With Circlip Repair).....	05-ON	1	AF40.DRU31
<b>SPECIAL ITEMS</b>				
<b>TOOLS &amp; MANUALS</b>				
<a href="#">Click here to view special tools for this transmission</a>				