

722.900

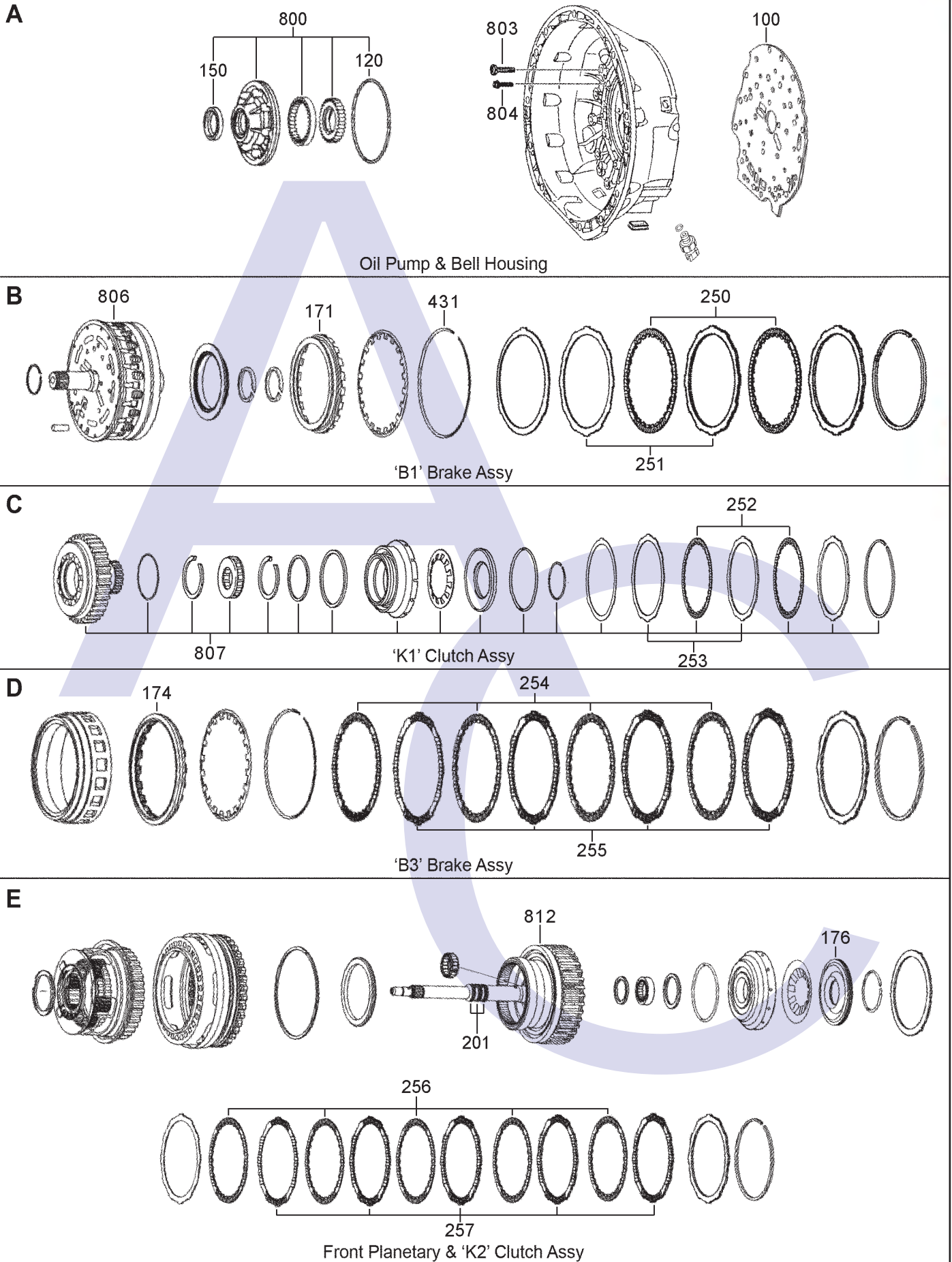
7 Speed RWD (Electronic Control)



AUTOMATIC CHOICE



THE AUTOMATIC TRANSMISSION PARTS WAREHOUSE



722.900

7 Speed RWD (Electronic Control)

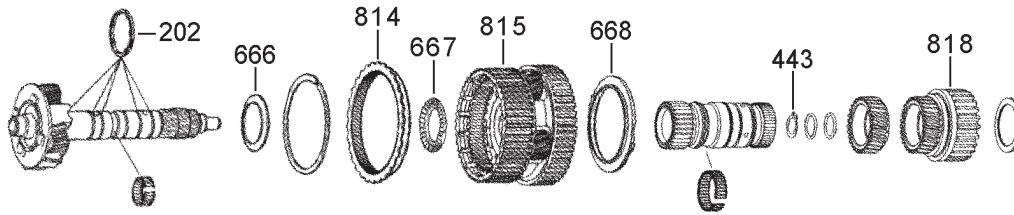


AUTOMATIC CHOICE



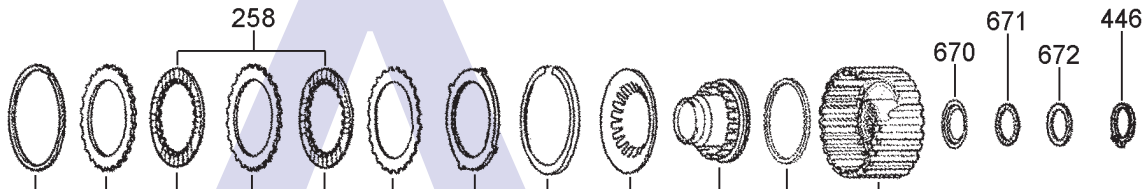
THE AUTOMATIC TRANSMISSION PARTS WAREHOUSE

F



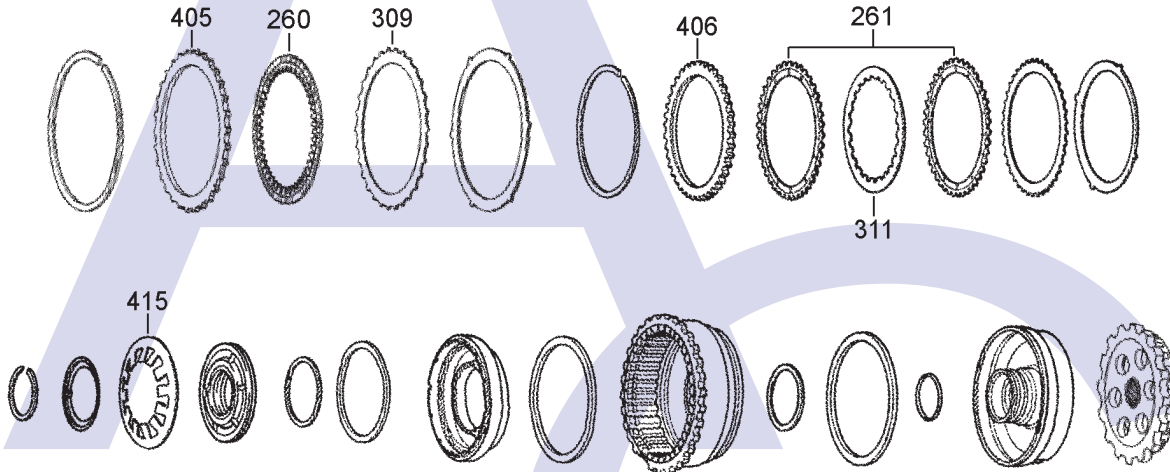
Middle & Rear Planetary Assy

G



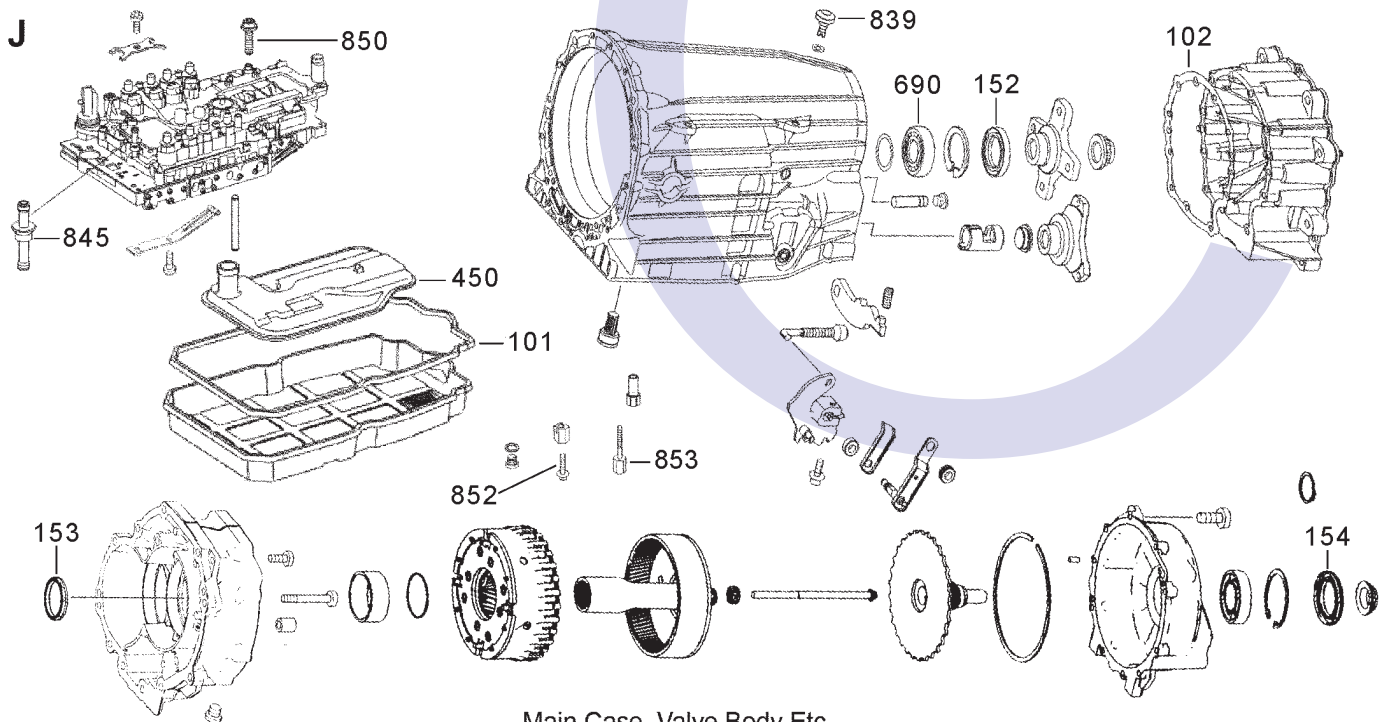
'K3' Clutch Assy

H



'BR' Brake & 'B2' Brake Assemblies

J



Main Case, Valve Body Etc.

722.900

7 Speed RWD (Electronic Control)



AUTOMATIC CHOICE



THE AUTOMATIC TRANSMISSION PARTS WAREHOUSE

ILL NO.	DESCRIPTION	YEARS	QTY	PART NO
KITS				
Kit	Overhaul Kit (Transtec) (Without Bonded Int. Plate).....	03-ON	1	M215.OHK02
Kit	Overhaul Kit (Transtec) (With Bonded Int. Plate).....	03-ON	1	M215.OHK03
Kit	Overhaul Kit (Aftermarket)	03-ON	1	M215.OHK01
Kit	Overhaul Kit (Precision).....	03-ON	1	M215.OHK51
Kit	Overhaul Kit UV, (4WD).....	03-ON	1	M215.OHK07
GASKETS				
100A	Intermediate Plate (With Moulded Rubber Gasket)	03-ON	1	M215.GAS02
101J	Pan Gasket	03-ON	1	M215.GAS01
102J	Extension Housing (4WD).....	03-ON	1	M215.GAS03
RUBBER COMPONENTS				
120A	Pump Outer 'O' Ring.....	03-ON	1	M140.OR01
METAL CLAD SEALS				
150A	Pump to T. Converter	03-ON	1	M215.MCS01
152J	Output Seal.....	03-ON	1	M215.MCS02
153J	Adaptor Housing (4WD).....	03-ON	1	M215.MCS03
154J	Rear Flange (4WD Unit)	03-ON	1	M215.MCS02
MOULDED PISTONS				
171B	'B1' Brake.....	03-ON	1	M215.PIS01
174D	'B3' Brake.....	03-ON	1	M215.PIS03
176E	'K2' Clutch Accumulator Piston.	03-ON	1	M215.PIS02
SEALING RINGS				
Kit	Sealing Ring Kit	03-O	1	M215.SRK01
201E	Input Shaft.....	03-ON	3	M140.SSR02
202F	Output Shaft.....	03-ON	5	M140.SSR03
FRICION PLATES				
Kit	Friction & Steel Plate (OE).....	03-ON	1	M215.FRK01
Kit	Friction & Steel Plate (AM)	03-ON	1	M215.FRK21
Kit	Friction & Steel Plate (Alto).....	03-ON	1	M215.FRK51
250B	'B1' Brake (Internal Teeth) (OE) (190.4mm OD x 2.08mm x 36T)	03-ON	2-4	M215.FRP02
250B	'B1' Brake (Internal Teeth) (AM) (190.4mm OD x 2.08mm x 36T)	03-ON	2-4	M215.FRP22
251B	'B1' Brake (External Teeth) (OE) (170.4mm ID x 2.08mm x 18T)	03-ON	2-4	M215.FRP01
251B	'B1' Brake (External Teeth) (AM) (170.4mm ID x 2.08mm x 18T)	03-ON	2-4	M215.FRP21
252C	'K1' Clutch (Internal Teeth) (AM) (148.4mm OD x 1.85mm x 30T)	03-ON	5	M215.FRP23
253C	'K1' Clutch (External Teeth) (AM) (127.6mm OD x 1.90mm x 36T)	03-ON	5	M215.FRP24
254D	'B3' Brake (Internal Teeth) (OE) (190.4mm OD x 2.08mm x 36T)	03-ON	4-5	M215.FRP02
254D	'B3' Brake (Internal Teeth) (AM) (190.4mm OD x 2.08mm x 36T)	03-ON	4-5	M215.FRP22
255D	'B3' Brake (External Teeth) (OE) (170.4mm ID x 2.08mm x 18T)	03-ON	4-5	M215.FRP01

ILL NO.	DESCRIPTION	YEARS	QTY	PART NO
FRICION PLATES Cont...				
255D	'B3' Brake (External Teeth) (AM) (170.4mm ID x 2.08mm x 18T)	03-ON	4-5	M215.FRP21
256E	'K2' Clutch (Internal Teeth) (OE) (167.4mm OD x 2.08mm x 36T)	03-ON	5-6	M215.FRP05
256E	'K2' Clutch (Internal Teeth) (AM) (167.4mm OD x 2.08mm x 36T)	03-ON	5-6	M215.FRP25
257E	'K2' Clutch (External Teeth) (OE) (152.6mm ID x 2.08mm x 30T)	03-ON	5-6	M215.FRP06
257E	'K2' Clutch (External Teeth) (AM) (152.6mm ID x 2.08mm x 30T)	03-ON	5-6	M215.FRP26
258G	'K3' Clutch (Internal Teeth) (AM) (114mm OD x 2.08mm x 24T)	03-ON	5	M215.FRP27
259G	'K3' Clutch (External Teeth) (AM) (88mm ID x 2.11mm x 24T)	03-ON	5	M215.FRP28
260H	'BR' Brake (178mm OD x 1.60mm x 46T)	03-ON	5	M140.FRP05
261H	'B2' Brake (External Teeth) (132mm OD x 1.65mm x 40T)	03-ON	6	M140.FRP04
STEEL PLATES				
Kit	Friction & Steel Plate	03-ON	1	M215.FRK01
Kit	Friction & Steel Plate (Alto).....	03-ON	1	M215.FRK51
309H	'BR' Brake External Teeth (155mm ID x 1.80mm x 30T)	03-ON	4	M140.STP18
311H	'B2' Brake (Internal Teeth) (155mm OD x 1.80mm x 24T)	03-ON	5	M140.STP16
PRESSURE PLATES				
405H	'BR' Brake (6.5mm Thick)	03-ON	1	M140.PP02
406H	'B2' Brake (6.5mm Thick).....	03-ON	1	M140.PP01
SPRINGS & CIRCLIPS				
415H	Diaphragm Spring ('B2' Brake Return).....	03-ON	1	M140.DIA04
431B	Circlip, 'B1' Diaphragm Retaining (Up to Serial No. 0655256)	03-ON	1	M215.CIR01
	(From Serial No. 0655257)	03-ON	1	M215.CIR02
443F	Circlip, Sun Gear Retaining	03-ON	1	M140.CIR02
446G	Circlip, 'K3' Clutch Retaining.....	03-ON	1	M140.CIR03
FILTERS				
450J	Pick Up Filter (OEM).....	03-ON	1	M215.FIL01
450J	Pick Up Filter (Aftermarket).....	03-ON	1	M215.FIL11
BUSHINGS				

722.900

7 Speed RWD (Electronic Control)



AUTOMATIC CHOICE

ILL NO.	DESCRIPTION	YEARS	QTY	PART NO
THRUST WASHERS & BEARINGS				
666F	Race/Guard Plate (Middle to Rear Planet).....	03-ON	1	M140.TOR08
667F	Needle Bearing (Middle to Rear Planet).....	03-ON	1	M215.TOR01
668F	Needle Bearing (Rear of Rear Planet).....	03-ON	1	M140.TOR09
670G	Race/Guard Plate (Rear of 'K3' Clutch, Front)	03-ON	1	M140.TOR11
671G	Needle Bearing (Rear of 'K3' Clutch).....	03-ON	1	M140.TOR12
672G	Race/Guard Plate (Rear of 'K3' Clutch, Rear) (3.10mm Thick)	03-ON	AR	M140.TOR13
	(3.40mm Thick)	03-ON	AR	M140.TOR14
	(3.70mm Thick)	03-ON	AR	M140.TOR15
690J	Ball Bearing, Output Shaft	03-ON	1	M140.BE04
ELECTRICAL COMPONENTS				
NI	Electronic Plate for Valve Body.	03-ON	1	M215.ELE01
VALVE BODY PARTS				
HARD PARTS				
800A	Pump Assembly, Modified (With Needle Bearing).....	03-ON	1	M140.PUM01
803A	Bolt, Bell Housing to Case (Aluminium See Note †).....	03-ON	17	M215.NUT01
804A	Bolt, Bell Housing to 'B1' Clutch (6mm Steel Bolts)	03-ON	11	M215.NUT05
806B	'B1' Clutch Hub/Stator Support (See Important Note ††)	03-ON	1	M215.SUP01
807C	'K1' Clutch Assembly Complete (See Important Note ††)	03-ON	1	M215.DRU01
812E	'K2' Clutch Drum	03-ON	1	M215.DRU03
814F	Annulus, Middle planetary.....	03-ON	1	M215.PL02
815F	Rear Planetary Assembly (Require Box Code)	03-ON	1	M215.PL01
818F	Rear Sun Gear.....	03-ON	1	M215.SUN01
823G	'K3' Clutch Assembly Complete	03-ON	1	M215.DRU02
828H	Bolt, 'B2' Brake to Case (M8 x 50).....	03-ON	2	M215.NUT06
839J	Transmission Breather.....	03-ON	1	MERC.124.BRE01
845J	Oil Guide Tube.....	03-ON	1	M215.TU01
850J	Bolt, Valve Body to Case (Aluminium See Note †).....	03-ON	10	M215.NUT02
852J	Bolt, Oil Pan to Case (Standard Head) (Aluminium See Note †).....	03-ON	6	M215.NUT04
853J	Bolt, Oil Pan to Case (Threaded Head for Aux Fittings) (Aluminium See Note †).....	03-ON	AR	M215.NUT03
†	The main case is made from Magnesium, so to prevent problems arising from expansion & corrosion these bolts are made from aluminium they must be changed every time and tightened to the correct torque.			
††	M215.DRU01 Comes completely built and ready to fit, it will fit box codes 722.996, 997 it will also fit box codes 722.901, 902, 906, 908, 950, 960, 962, 964, 965, 980, 982, 999, from serial number 1 600840			

ILL NO.	DESCRIPTION	YEARS	QTY	PART NO
HARD PARTS Cont...				
<p>If supplying for these codes upto serial number 1 600839 you will need to purchase the 'B1' Clutch Hub/Stator Support Part No. M215.SUP01</p> <p>M215.SUP01 fits all these codes as standard from serial numbers 1 600840 up. When Purchasing for units with serial numbers up to 1 600839, you will need also to purchase M215.DRU01</p>				
SPECIAL ITEMS				
TOOLS & MANUALS				
<p>Click here to view special tools for this transmission</p>				



THE AUTOMATIC TRANSMISSION PARTS WAREHOUSE