

722.800

CVT FWD (Electronic Control)

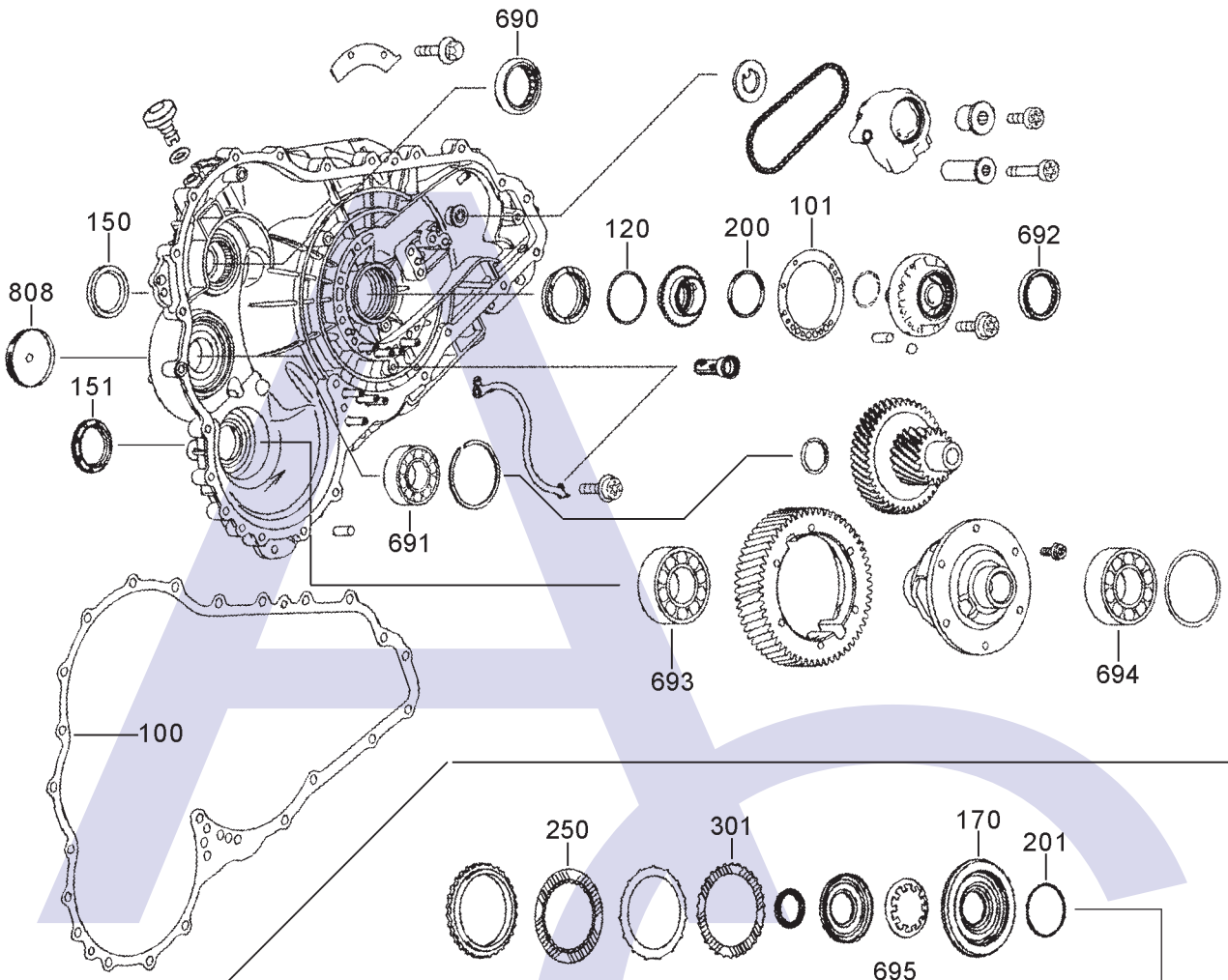


AUTOMATIC CHOICE

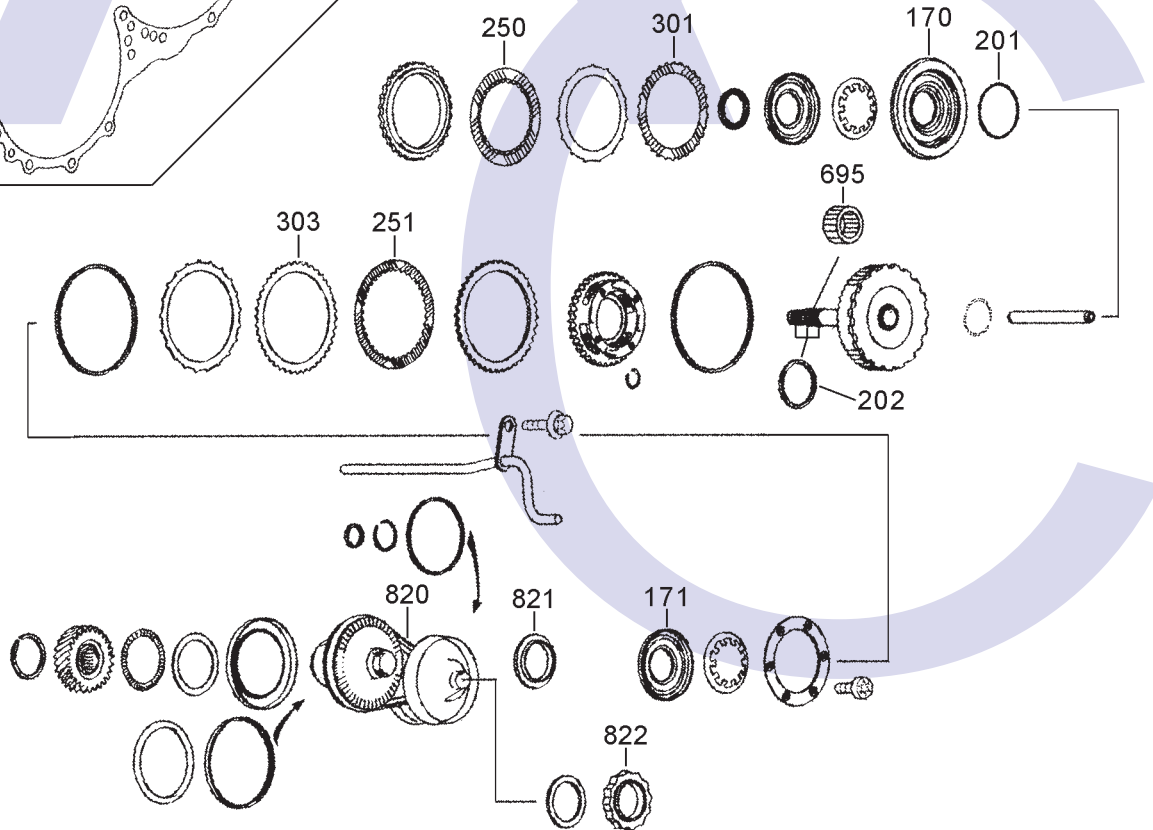


THE AUTOMATIC TRANSMISSION PARTS WAREHOUSE

A



B



722.800

CVT FWD (Electronic Control)

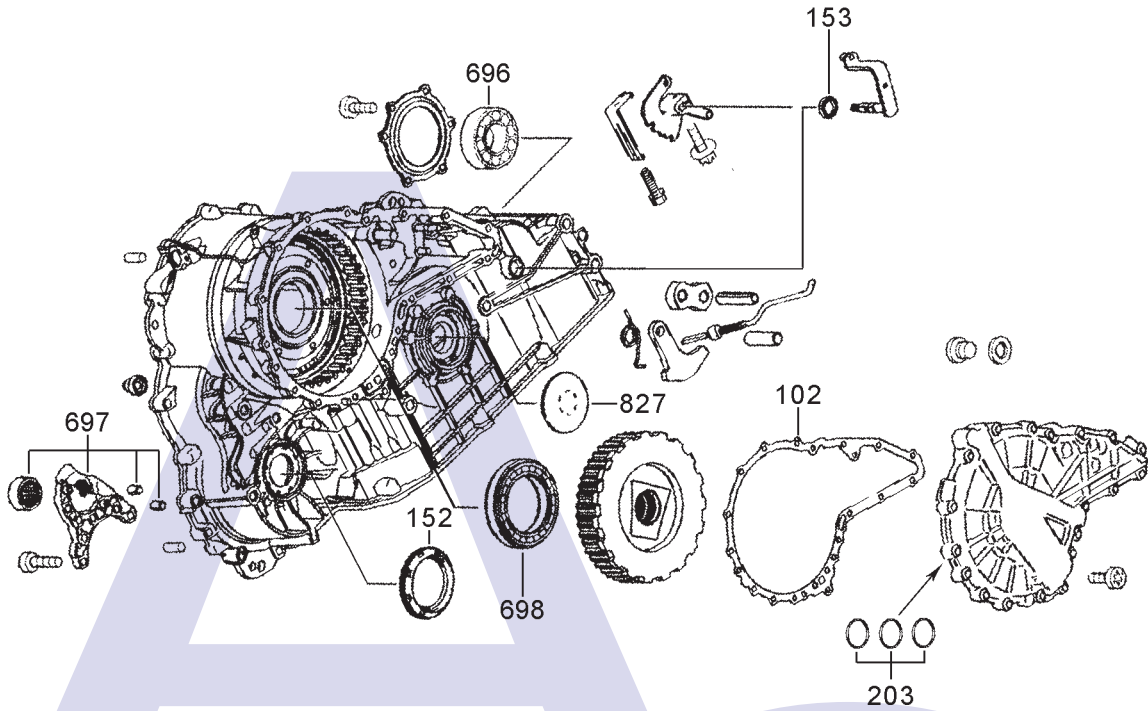


AUTOMATIC CHOICE

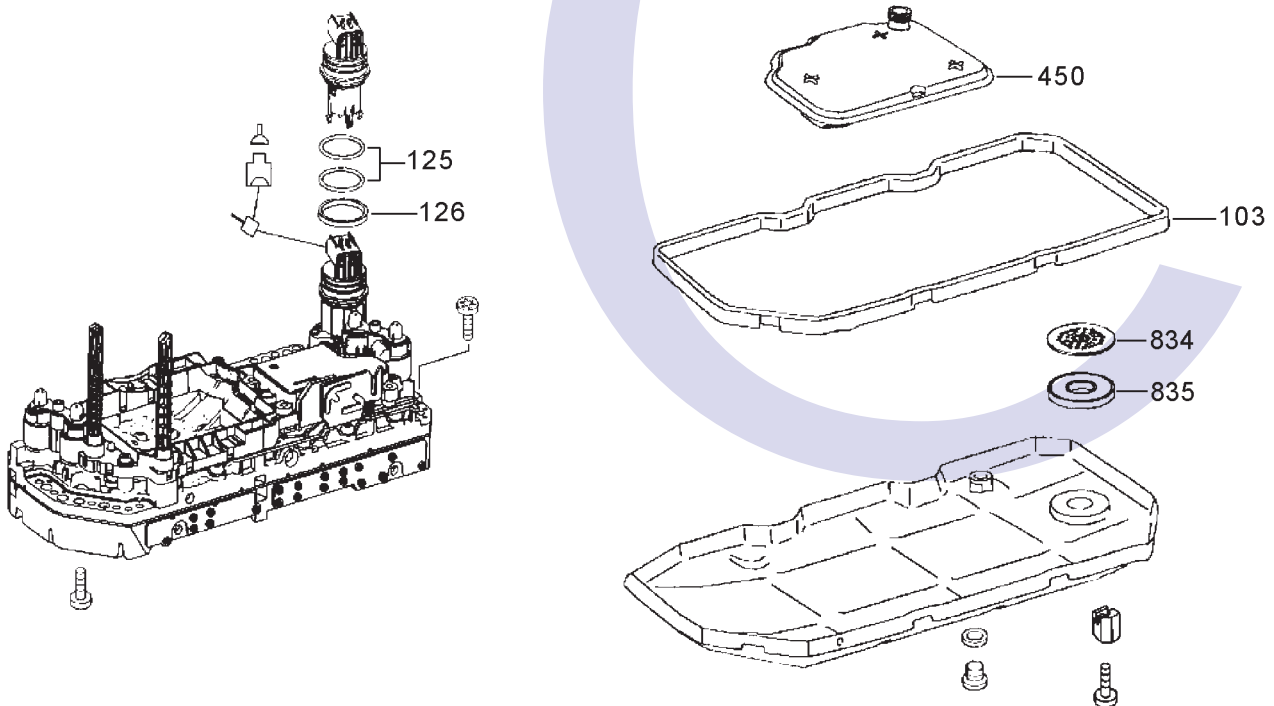


THE AUTOMATIC TRANSMISSION PARTS WAREHOUSE

C



D



722.800

CVT FWD (Electronic Control)



AUTOMATIC CHOICE



THE AUTOMATIC TRANSMISSION PARTS WAREHOUSE

| ILL NO. | DESCRIPTION | YEARS | QTY | PART NO |
|--------------------------|---|----------|-----|---------------|
| KITS | | | | |
| Kit | Overhaul Kit (Aftermarket) | 05-ON | 1 | M169.OHK01 |
| GASKETS | | | | |
| 100A | Main Case Gasket | 05-ON | 1 | M169.GAS03 |
| 101A | Sprocket Cover Gasket | 05-ON | 1 | M169.GAS04 |
| 102C | Rear Cover Gasket | 05-ON | 1 | M169.GAS05 |
| 103D | Pan Gasket to Serial 305061 (All Rubber) | -05/07 | 1 | M169.GAS01 |
| 103D | Pan Gasket from Serial 305062 (Metal With Rubber Seal) | 05/07-ON | 1 | M169.GAS02 |
| RUBBER COMPONENTS | | | | |
| 120A | 'O' Ring, Pump Drive Gear Housing | 05-ON | 1 | M169.OR01 |
| 125D | 'O' Ring Case Connector (Small) | 05-ON | 2 | M169.OR02 |
| 126D | 'O' Ring Case Connector (Large) | 05-ON | 1 | M169.OR03 |
| METAL CLAD SEALS | | | | |
| 150A | Converter Seal | 05-ON | 1 | MERC126.MCS01 |
| 151A | Drive Shaft Seal (L/Hand) | 05-ON | 1 | M169.MCS02 |
| 152C | Drive Shaft Seal (R/Hand) | 05-ON | 1 | M169.MCS02 |
| 153C | Selector Shaft Seal | 05-ON | 1 | M169.MCS03 |
| MOULDED PISTONS | | | | |
| 170B | Piston, Output Shaft (Forward Clutch) | 05-ON | 1 | M169.PIS01 |
| 171B | Piston, Planet Carrier (Reverse Brake) | 05-ON | 1 | M169.PIS02 |
| SEALING RINGS | | | | |
| 200A | Pump Drive Gear | 05-ON | 1 | M169.SSR01 |
| 201B | Output Shaft (Front) | 05-ON | 1 | M169.SSR02 |
| 202B | Output Shaft (Rear) | 05-ON | 3 | M169.SSR03 |
| 203C | Rear Cover | 05-ON | 3 | M169.SSR03 |
| FRICITION PLATES | | | | |
| 250B | Forward Clutch (OEM) (180mm OD x 1.78mm x 46T) | 05-ON | 3 | M169.FRP01 |
| 250B | Forward Clutch (Alto) (180mm OD x 1.78mm x 46T) | 05-ON | 3 | M169.FRP51 |
| 251B | Reverse Brake (OEM) (193.3mm OD x 2.18mm x 36T) | 05-ON | 3 | M169.FRP02 |
| 251B | Reverse Brake (Alto) (193.3mm OD x 2.18mm x 36T) | 05-ON | 3 | M169.FRP52 |
| STEEL PLATES | | | | |
| 301B | Forward Clutch (OEM) (154mm ID x 1.40mm x 48T) | 05-ON | 3 | M169.STP01 |
| 301B | Forward Clutch (Alto) (154mm ID x 1.40mm x 48T) | 05-ON | 3 | M169.STP51 |
| 303B | Reverse Brake (OEM) (145.8mm ID x 1.20mm x 42T) | 05-ON | 3 | M169.STP02 |
| 303B | Reverse Brake (Alto) (145.8mm ID x 1.20mm x 42T) | 05-ON | 3 | M169.STP52 |

| ILL NO. | DESCRIPTION | YEARS | QTY | PART NO |
|--------------------------------------|--|-------|-----|------------|
| PRESSURE PLATES | | | | |
| SPRINGS & CIRCLIPS | | | | |
| FILTERS | | | | |
| 450D | Pick Up Filter (OEM) | 05-ON | 1 | M169.FIL01 |
| 450D | Pick Up Filter (Aftermarket) | 05-ON | 1 | M169.FIL02 |
| BANDS | | | | |
| BUSHINGS | | | | |
| THRUST WASHERS & BEARINGS | | | | |
| 690A | Bearing, Secondary Front | 05-ON | 1 | M169.BE04 |
| 691A | Bearing, Idler Gear Front | 05-ON | 1 | M169.BE06 |
| 692A | Bearing, Primary Front | 05-ON | 1 | M169.BE05 |
| 693A | Bearing, Differential L/Hand | 05-ON | 1 | M169.BE07 |
| 694A | Bearing, Differential R/Hand | 05-ON | 1 | M169.BE07 |
| 695B | Bearing, Output Drum Support | 05-ON | 1 | M169.BE08 |
| 696C | Bearing, Primary Rear | 05-ON | 1 | M169.BE02 |
| 697C | Bearing & Support Assembly, Idler Gear Rear | 05-ON | 1 | M169.BE03 |
| 698C | Bearing, Secondary Rear | 05-ON | 1 | M169.BE01 |
| ELECTRICAL COMPONENTS | | | | |
| VALVE BODY PARTS | | | | |
| HARD PARTS | | | | |
| 808A | End Cap, Secondary Shaft (L/Hand) | 05-ON | 1 | M169.CAP01 |
| 820B | Drive Belt (Steel) | 05-ON | 1 | RE09.CH01 |
| 821B | Nut, Secondary Shaft Locking | 05-ON | 1 | M169.NUT02 |
| 822B | Nut, Primary Shaft | 05-ON | 1 | M169.NUT01 |
| 827C | End Cap, Secondary Shaft (R/Hand) | 05-ON | 1 | M169.CAP01 |
| 834D | Cover Plate for Pan Magnet (Use with M169.MAG01) | 05-ON | 1 | M169.RET01 |
| 835D | Magnet for Oil Pan (Standard) | 05-ON | 1 | M169.MAG02 |
| 835D | Magnet for Oil Pan, (With Anti Bump Gel) | | | |
| | Note: This part is placed into the oil pan and is designed to cure the following problem. When the 722.8 comes to a stop, there can be a bump into first, so Mercedes have produced a magnet filled with a special gel that gradually dissolves into the oil and should eliminate the bump. | 05-ON | 1 | M169.MAG01 |

722.800

CVT FWD (Electronic Control)



A
U
T
O
M
A
T
I
C
C
H
O
I
C
E



T
H
E
A
U
T
O
M
A
T
I
C
T
R
A
N
S
M
I
S
S
I
O
N
P
A
R
T
S
W
A
R
E
H
O
U
S
E

| ILL NO. | DESCRIPTION | YEARS | QTY | PART NO |
|--|-------------|-------|-----|---------|
| SPECIAL ITEMS | | | | |
| | | | | |
| TOOLS & MANUALS | | | | |
| Click here to view special tools for this transmission | | | | |

| ILL NO. | DESCRIPTION | YEARS | QTY | PART NO |
|---------|-------------|-------|-----|---------|
|---------|-------------|-------|-----|---------|