

4R44E / 4R55E / 5R55E

4 & 5 SPEED RWD WITH LOCK UP (Full Electronic Control)

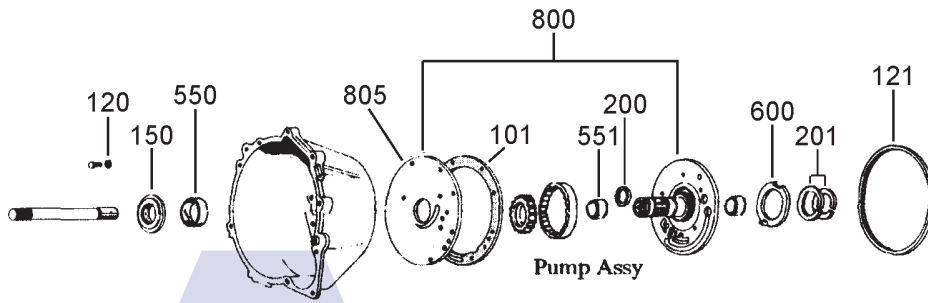


AUTOMATIC CHOICE

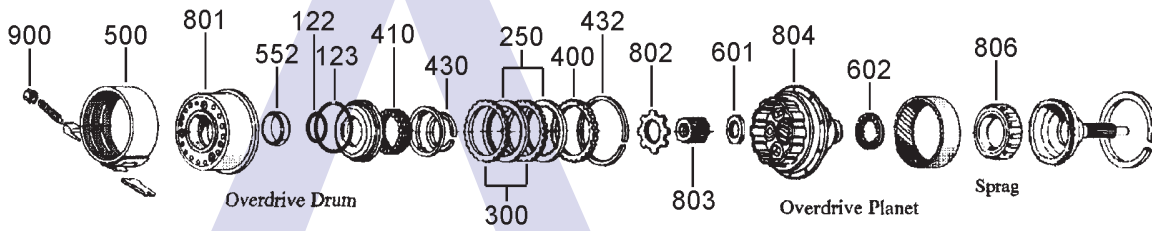


THE AUTOMATIC TRANSMISSION PARTS WAREHOUSE

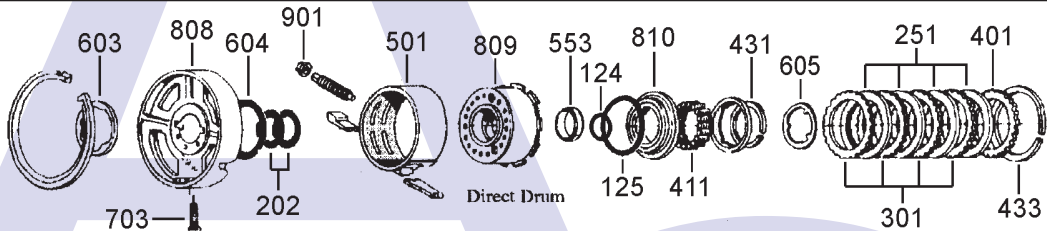
A



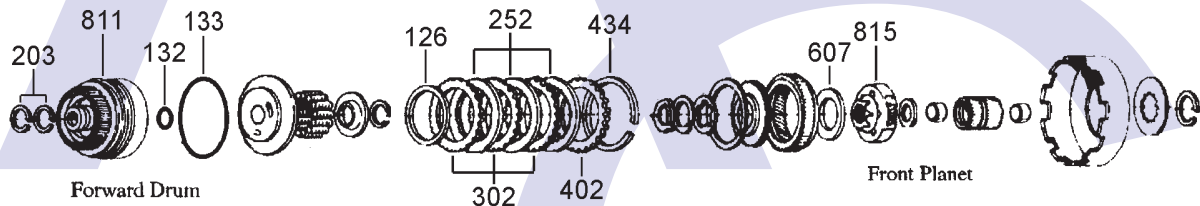
B



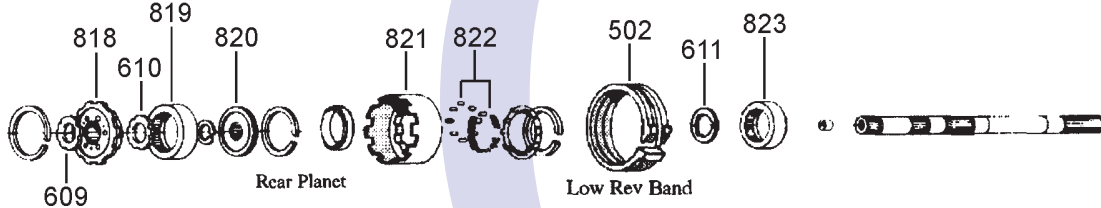
C



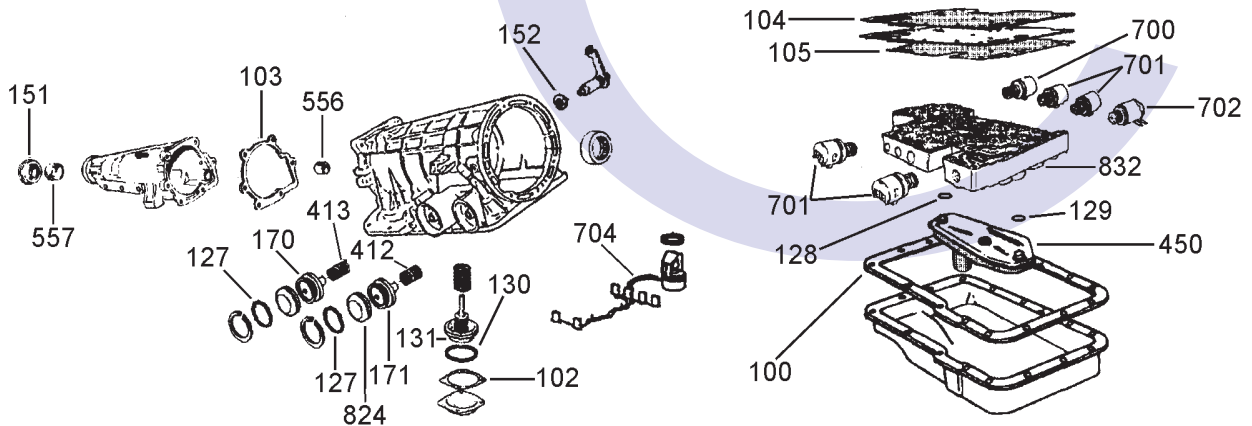
D



E



F



4R44E / 4R55E / 5R55E

4 & 5 SPEED RWD WITH LOCK UP (Full Electronic Control)



AUTOMATIC CHOICE



THE AUTOMATIC TRANSMISSION PARTS WAREHOUSE

ILL NO.	DESCRIPTION	YEARS	QTY	PART NO
KITS				
Kit	4R44E & 4R55E (Transtec)	95-96	1	A4LDE.OHK01
Kit	4R44E & 4R55E (Precision)	95-96	1	A4LDE.OHK51
Kit	4R44E & 5R55E (Transtec)	97-ON	1	5R55E.OHK01
Kit	4R44E & 5R55E (Precision)	97-02	1	5R55E.OHK51
5R55E Used in 1997 - 2009 4.0L Rangers (1997-2001 Explorer w/4.0L)				
GASKETS				
100F	Pan Gasket	94-ON	1	A4LD.GAS01
100F	Pan Gasket (Farpak).....	94-ON	1	A4LD.GAS10
101A	Front Pump	94-ON	1	C3.GAS02
102F	Rear Servo Cover Gasket.....	94-ON	1	C3.GAS04
103F	Extension Housing	94-ON	1	C3.GAS03
104F	Valve Body Gasket (Upper)	94-ON	1	A4LDE.GAS03
105F	Valve Body Gasket (Lower)	94-ON	1	A4LDE.GAS04
NI	Ext to Transfer Box (Explorer)...	94-ON	1	5R55E.GAS06
RUBBER COMPONENTS				
120A	Bell Housing Bolt O'ring	94-ON	8	A4LD.OR05
121A	Converter Housing Lathe Cut Seal	94-ON	1	C3.SQR01
122B	O. D. Clutch Lip Seal Inner	94-ON	1	C3.LIP01
123B	O. D. Clutch Lip Seal Outer	94-96	1	C3.LIP02
123B	O. D. Clutch Lip Seal Outer (Green Stripe)	97-ON	1	C3.LIP03
124C	3rd/Rev Clutch Lip Seal Inner ...	87-ON	1	C3.LIP01
125C	3rd/Rev Clutch Lip Seal Outer ..	94-ON	1	C3.LIP02
126D	Forward Clutch Rubber Cushion Ring (Late)	94-ON	1	A4LD.RUB01
127F	Servo Cover Seal	94-ON	2	A4LD.OR04
128F	Filter O Ring Small	94-ON	1	A4LD.OR03
129F	Filter O Ring Large	94-ON	1	A4LD.OR02
130F	Rear Servo Outer 'O' Ring	94-ON	1	C3.OR01
131F	Rear Servo Inner 'O' Ring	94-ON	1	C3.OR02
132D	Fwd Clutch Inner Seal	94-ON	1	C3.SQR02
133D	Fwd Clutch Outer Seal	94-ON	1	C3.SQR03
NI	Filler Tube Seal	94-ON	1	A4LD.OR10
NI	Large Cooler Union O'ring	94-ON	2	A4LD.OR06
NI	'O' Ring- Inner Pump Gear	94-ON	1	A4LDE.OR01
METAL CLAD SEALS				
150A	Front Pump Seal (W/Flange)	94-96	1	A4LD.MCS01
150A	Front Pump Seal (No Flange) ...	97-ON	1	A4LD.MCS02
151F	Extension Housing	94-ON	1	C3.MCS02
152F	Selector Shaft All	94-ON	1	C3.MCS03
MOULDED PISTONS				
170F	Inter Servo Piston (53mm 'AB')	94-ON	1	A4LD.SER03
	(49mm 'BB')	94-ON	1	A4LD.SER02
	(46mm 'CB')	94-ON	1	A4LD.SER01
	(45mm 'DB')	94-ON	1	A4LD.SER07
	(43mm 'EB')	94-ON	1	A4LD.SER08
	(42mm 'FB')	94-ON	1	A4LD.SER09
171F	O.D. Servo Piston (58mm 5R55E Only)	8/96-ON	1	5R55E.SER02
	(53mm 'AB')	94-ON	1	A4LD.SER03
	(49mm 'BB')	94-ON	1	A4LD.SER02
	(46mm 'CB')	94-ON	1	A4LD.SER01
	(45mm 'DB')	94-ON	1	A4LD.SER07

ILL NO.	DESCRIPTION	YEARS	QTY	PART NO
SEALING RINGS				
Kit	Sealing Ring (Use With A4LDE.SSR01)	94-96	1	A4LD.SRK01
Kit	Sealing Ring (4R44E/55E).....	95-96	1	A4LDE.SRK01
Kit	Sealing Ring	97-ON	1	5R55E.SRK01
200A	Stator Support Front to TC (Yellow Plastic Butt Joint).....	94-ON	1	A4LDE.SSR01
201A	Stator Support Rear (Teflon)	94-97	2	C3.SSR05
202C	Centre Support (Rubber)	94-97	2	A4LD.SSR03
203D	Forward Clutch	94-ON	2	5R55E.SSR01
FRICITION PLATES				
Kit	Friction Kit	94-96	1	A4LD.FRK02
Kit	Friction Kit (Alto)	94-96	1	A4LD.FRK52
Kit	Friction Kit	97-ON	1	A4LD.FRK03
Kit	Friction Kit (Alto)	97-ON	1	A4LD.FRK53
250B	Overdrive 1.75mm	94-96	3	A4LD.FRP04
250B	Overdrive 1.75mm (Borg Warner)	94-96	3	A4LD.FRP14
250B	Overdrive Spiral Groove (Borg Warner)	97-ON	3	5R55E.FRP11
251C	Direct (Front) 1.75mm	94-96	5-6	A4LD.FRP03
251C	Direct (Front) 1.75mm (Borg Warner)	94-96	5-6	A4LD.FRP13
251C	Direct Spiral Groove (Borg Warner)	97-ON	5-6	5R55E.FRP12
252D	Forward (Rear) 1.75mm	94-96	5-6	A4LD.FRP02
252D	Fwd (Rear) 1.75mm (Borg Warner)	94-96	5-6	A4LD.FRP12
252D	Fwd Spiral Groove (Borg Warner)	97-ON	5-6	5R55E.FRP13
STEEL PLATES				
Kit	Steel Plate Kit	94-96	1	A4LD.STK02
Kit	Steel Plate Kit (Alto)	94-96	1	A4LD.STK52
Kit	Steel Plate Kit (Ex 4.0 Litre).....	97-ON	1	A4LD.STK03
Kit	Steel Plate Kit (Alto)	97-ON	1	A4LD.STK53
300B	Overdrive 1.65mm	94-ON	3	A4LD.STP02
301C	3rd & Reverse 1.65mm	94-ON	4-6	A4LD.STP02
301C	3rd & Rev 2.06mm (Exc 4.0 Ltr) ..	97-ON	4-6	5R55E.STP02
302D	Forward 1.65mm	89-ON	5-6	A4LD.STP01
PRESSURE PLATES				
400B	Overdrive (5.08mm)	94-ON	1	A4LD.PP01
401C	Third & Reverse (5.08mm).....	94-ON	1	A4LD.PP01
402D	Forward (5.08mm)	94-ON	1	A4LD.PP02
SPRINGS & CIRCLIPS				
410B	Return Spring O.D. Clutch	94-ON	20	A4LD.SPR04
411C	Return Spring 3rd & Rev Ctch ..	94-ON	20	A4LD.SPR04
412G	Spring, Overdrive Servo	94-ON	1	A4LD.SPR09
413G	Spring, Intermediate Servo	94-ON	1	A4LD.SPR08
NI	Spring, Main Press Regulator x 20 (Sonnax™ Click Here for Info) ..	94-ON	1	5R55E.SRP01
Kit	Springs, TCC Regulator Valve x 2 Each (Sonnax™ Click Here for Info) ..	94-ON	1	5R55E.SRP02
430B	Overdrive Clutch Piston Spring Retainer Circlip	94-ON	1	A4LD.CIR01
431C	3rd & Rev Clutch Piston Spring Retainer Circlip	94-ON	1	A4LD.CIR01

4R44E / 4R55E / 5R55E

4 & 5 SPEED RWD WITH LOCK UP (Full Electronic Control)



AUTOMATIC CHOICE



THE AUTOMATIC TRANSMISSION PARTS WAREHOUSE

ILL NO.	DESCRIPTION	YEARS	QTY	PART NO
SPRINGS & CIRCLIPS Cont...				
432B	Overdrive Clutch Pack Retaining Circlip (1.37mm Thick)	94-ON	AR	C3.CIR05
	(1.67mm Thick)	94-ON	AR	C3.CIR04
	(2.08mm Thick)	94-ON	AR	C3.CIR02
	(2.44mm Thick)	94-ON	AR	C3.CIR01
433C	Third & Reverse Clutch Pack Retaining Circlip (1.37mm Thick)	85-ON	AR	C3.CIR05
	(1.67mm Thick)	85-ON	AR	C3.CIR04
	(2.08mm Thick)	85-ON	AR	C3.CIR02
	(2.44mm Thick)	85-ON	AR	C3.CIR01
434D	Forward Clutch Pack Retaining Circlip (1.35mm Thick)	85-ON	AR	C3.CIR03
	(1.67mm Thick)	85-ON	AR	C3.CIR06
FILTERS				
450F	Filter Paper Element (4WD)	94-ON	1	A4LD.FIL13
450F	Filter Paper Element (2WD)	94-ON	1	A4LD.FIL16
NI	Filter Lock Up Solenoid Installs in Seperator Plate	94-ON	1	A4LD.FIL05
BANDS				
500B	Overdrive Band	94-ON	1	C3.BAN01
500B	Overdrive Band (Borg Warner)	94-ON	1	C3.BAN12
501C	Intermediate Band	94-ON	1	C3.BAN01
501C	Intermediate Band (Borg Warner)	94-ON	1	C3.BAN12
502E	Low & Reverse	94-ON	1	C3.BAN04
900B	Overdrive Band Adjusting Nut	94-ON	1	C3.NUT01
901C	3rd & Rev Band Adjusting Nut	94-ON	1	C3.NUT01
BUSHES				
Kit	Bush Kit	94-ON	1	A4LD.BK02
550A	Converter Bush (Babbit)	94-ON	1	C3.BUS01
550A	Converter Bush (Bronze)	94-ON	1	C3.BUS02
551A	Front Stator Bush	94-ON	1	A4LD.BUS05
552B	Overdrive Drum Bush	94-ON	1	A4LD.BUS07
553C	3rd & Rev Clutch Drum (Cast)	94-ON	1	A4LD.BUS06
556F	Rear Case Bushing	94-ON	1	C3.BUS05
557F	Extension Housing	94-ON	1	C3.BUS03
THRUST WASHERS & BEARINGS				
Kit	Thrust Washer	97-ON	1	A4LD.TWK04
600A	Front Pump to Overdrive Drum Selective #A 1.20mm	94-96	AR	C3.THW10
	Selective #B 2.20mm	94-96	AR	C3.THW11
	Selective #C 2.40mm	94-96	AR	C3.THW12
	Selective #D 2.60mm	94-96	AR	C3.THW13
	Selective #E 2.80mm	94-96	AR	C3.THW08
	Selective #A 1.20mm Plastic	94-96	AR	C3.THW21
	Selective #B 1.60mm Plastic	94-96	AR	C3.THW22
	Selective #C 2.00mm Plastic	94-96	AR	C3.THW23
	Selective #D 2.40mm Plastic	94-96	AR	C3.THW24
	Selective #E 2.80mm Plastic	94-96	AR	C3.THW25

ILL NO.	DESCRIPTION	YEARS	QTY	PART NO
THRUST WASHERS & BEARINGS Cont...				
600A	Front Pump to Overdrive Drum (Pump has a Caged Bearing) Selective 1.397mm	97-ON	AR	A4LDE.THW05
	Selective 1.600mm	97-ON	AR	A4LDE.THW06
	Selective 1.600mm	97-ON	AR	A4LDE.THW06
	Selective 1.803mm	97-ON	AR	A4LDE.THW07
	Selective 1.905mm	97-ON	AR	A4LDE.THW08
	Selective 2.006mm	97-ON	AR	A4LDE.THW09
	Selective 2.108mm	97-ON	AR	A4LDE.THW10
	Selective 2.209mm	97-ON	AR	A4LDE.THW11
	Selective 2.387mm	97-ON	AR	A4LDE.THW12
	Selective 2.794mm	97-ON	AR	A4LDE.THW13
601B	Raidial Bearing (OD Sun Gear to OD Planetary)	94-ON	1	A4LD.THW16
602B	Radial Bearing (OD Planetary to OD Annulus)	94-ON	1	A4LD.TOR01
603C	Front Centre Sup Torrington	94-ON	1	A4LD.TOR02
604C	C. Supp to 3rd/Rev Drum Torrington (2.95mm)	94-96	AR	A4LDE.TOR02
604C	C. Supp to 3rd/Rev Drum Torrington (3.15mm)	94-96	AR	A4LDE.TOR03
604C	C. Supp to 3rd/Rev Drum Selective 1.397mm	97-ON	AR	A4LDE.THW05
	Selective 1.600mm	97-ON	AR	A4LDE.THW06
	Selective 1.803mm	97-ON	AR	A4LDE.THW07
	Selective 1.905mm	97-ON	AR	A4LDE.THW08
	Selective 2.006mm	97-ON	AR	A4LDE.THW09
	Selective 2.108mm	97-ON	AR	A4LDE.THW10
	Selective 2.209mm	97-ON	AR	A4LDE.THW11
	Selective 2.387mm	97-ON	AR	A4LDE.THW12
	Selective 2.794mm	97-ON	AR	A4LDE.THW13
	Selective 2.946mm	97-ON	AR	5R55E.THW01
	Selective 3.149mm	97-ON	AR	5R55E.THW02
	Selective 3.352mm	97-ON	AR	5R55E.THW03
605C	Thrust Bearing, Direct Drum to Forward Drum	97-ON	1	A4LDE.THW15
607D	Radial Bearing, Fwd Planet to Hub	94-ON	1	A4LDE.TOR07
609E	Thrust Washer, Front of Rear Gearset	94-97	1	A4LD.THW06
609E	Thrust Bearing, Front of Rear Gearset	97-ON	1	A4LDE.THW14
610E	Rear of Rear Gearset	94-97	1	A4LD.THW05
611E	Rear Hub to OWC Inner Race	94-97	1	A4LD.THW04
611E	Bearing, Less Race Rear Hub to OWC Inner Race	97-ON	1	A4LDE.THW03
611E	Bearing Kit, With Race Rear Hub to OWC Inner Race	97-ON	1	A4LDE.THW04
ELECTRICAL COMPONENTS				
700F	Solenoid Press Control, EPC 1.25" Silver Can (2 Green Screens) w/.25" 2 prong Black Connector (Bottom)	94-96	1	A4LDE.SOL01
700F	Solenoid Press Control, EPC 1.25" Silver Can (2 Red Screens) w/.25" 2 prong Black Connector (Bottom)	97-ON	1	A4LDE.SOL06
701F	Solenoid Shift Control	94-96	4	A4LDE.SOL03
701F	Solenoid Shift Control	97-ON	4	A4LDE.SOL08
702F	Solenoid Lock Up Control	94-96	4	A4LDE.SOL05
702F	Solenoid Lock Up Control	97-ON	1	A4LDE.SOL07
703C	Speed Sensor (C. Supp)	94-ON	1	A4LDE.ELE03
704F	Solenoid Loom	94-ON	1	A4LDE.ELE05
NI	Vehicle Speed Sensor	94-ON	1	A4LD.ELE02
NI	Loom Box to Bulkhead (2.0L)	-5/96	1	A4LDE.ELE01
NI	Loom Box to Bulkhead (2.0L & 2.3L)	5/96-ON	1	A4LDE.ELE04
NI	Range Switch	94-96	1	A4LDE.INH01
NI	Range Switch, Explorer	8/96-9/00	1	5R55E.ELE01

4R44E / 4R55E / 5R55E

4 & 5 SPEED RWD WITH LOCK UP (Full Electronic Control)



AUTOMATIC CHOICE



THE AUTOMATIC TRANSMISSION PARTS WAREHOUSE

ILL NO.	DESCRIPTION	YEARS	QTY	PART NO
ELECTRICAL COMPONENTS Cont...				
NI	Overdrive Speed Sensor (5R55E).....	97-ON	1	5R55N.ELE04
VALVE BODY PARTS				
Kit	Shift Kit 4R44E & 4R55E	94-ON	1	A4LDE.SK01
NI	Spring, Main Press Regulator x 20 (Sonnax® Click here for Info) ...	94-On	1	5R55E.SRP01
Kit	Springs, TCC Regulator Valve x 2 Each (Sonnax® Click here for Info) ...	94-On	1	5R55E.SPR02
NI	Valve, TCC Regulator (OE Size) (Sonnax® Click here for Info) ...	94-ON	1	4R44E.VA20
Kit	TCC Modulator Sleeve Requires Toolkit 4R44E.VA22 (Sonnax® Click here for Info) ...	94-ON	1	4R44E.VA21
Kit	Toolkit for 4R44E.VA21 & VA25 (Sonnax®).....	94-ON	1	4R44E.VA22
Kit	EPC & TCC Relief Valve Requires Toolkit 4R44E.VA24 (Sonnax® Click here for Info) ...	94-ON	2	4R44E.VA23
Kit	Toolkit for 4R44E.VA23 (Sonnax®).....	94-ON	1	4R44E.VA24
Kit	Pressure Regulator Sleeve Requires Toolkit 4R44E.VA22 (Sonnax® Click here for Info) ...	94-ON	1	4R44E.VA25
Kit	Boost Valve & Sleeve Increased Ratio (Sonnax® Click here for Info) ...	94-ON	1	4R44E.VA26
HARD PARTS				
800A	Pump Assy 4R44E/55E.....	94-ON	1	A4LDE.PUM01
800A	Pump Assy 5R55E	97-ON	1	5R55E.PUM01
801B	OD Clutch Drum (2 Plate).....	94-96	1	A4LD.DRU11
801B	OD Clutch Drum.....	97-98	1	A4LD.DRU12
802B	Overdrive Adaptor Plate.....	94-ON	1	A4LD.THW03
803B	Overdrive Sun Gear.....	94-ON	1	A4LD.SUN01
804B	Overdrive Planet with Sensor Ring.....	94-96	1	A4LDE.PL32
805A	Oil Pump Rubbing Plate (4R44E & 5R44E)	94-ON	1	A4LDE.SP01
806B	Overdrive Sprag Plastic Cage ..	94-96	1	4LD.OWC02
806B	Overdrive Sprag Plastic Cage (11.81mm Wide)	97-ON	1	5R55E.OWC01
808C	Centre Support	94-96	1	A4LD.SUP01
808C	Centre Support (Dual Bearing)	97-ON	1	5R55E.SUP01
809C	5 Plate Cast Direct Drum	94-ON	1	A4LD.DRU01
809C	5 Plate Direct Drum (5R55E)	97-ON	1	5R55E.DRU01
809C	6 Plate Direct Drum.....	94-ON	1	A4LD.DRU08
810C	Direct Clutch Piston	94-ON	1	C3.PIS02
810C	Direct Clutch Piston (Large Diameter to Suit A4LD.DRU01)	94-ON	1	A4LD.PIS01
811D	Drum, Forward Clutch (6 Plate)	94-ON	1	A4LD.DRU14
815D	Fwd Planetary (Steel 4 Pin)	94-ON	1	A4LD.PL05
815D	Fwd Planetary (Steel 6 Pin)	94-ON	1	A4LD.PL06
818E	Low Planetary (Steel 6 Pin)	94-96	1	A4LD.PL04
819E	Ring Gear, Rear Planet (Bearing Type)	95-ON	1	A4LD.PL27
820E	Hub, Rear Anulus (Exc 4.0L)	94-ON	1	A4LD.HUB01
820E	Hub, Rear Anulus (40.39mm OD Nose) (18.62mm Overall Height).....	95-ON	1	A4LD.PL28

ILL NO.	DESCRIPTION	YEARS	QTY	PART NO
820E	Hub Rear Anulus(4.0L Explorer) (18.62mm OD Nose) (21.72mm Overall Height).....	97-ON	1	A4LDE.HUB01
821E	Reverse Band Drum 4.0 Ltr	94-ON	1	A4LD.DRU10
821E	Reverse Band Drum (5R55E) ...	97-ON	1	5R55E.DRU02
822E	Rear One Way Clutch (plastic 26 Element 4.0Ltr)	94-ON	1	5R55E.OWC02
823E	Low Sprag Inner Race (Except 4.0Ltr)	94-96	1	A4LD.OWC04
823E	Low OWC Inner Race (4.0Ltr 68.45mm OD).....	94-96	1	A4LD.OWC05
824F	Overdrive Servo Cover 'AB'	94-97	1	A4LD.COV03
832F	Rebuilt Valve Body (Explorer)	97-ON	1	5R55E.VB01
SPECIAL ITEMS				
NI	Torque Converter Nut.....	94-ON	4	A4LD.NUT01
NI	Nut - Band Adjuster.....	85-ON	2	C3.NUT01
NI	Caged Centre Support Nut	85-ON	1	A4LD.NUT02
NI	Magnet (Oil Pan).....	85-ON	1	A4LD.MAG01
NI	Cooler to Case Union (Large)	92-94	2	A4LD.UN01
NI	Case Repair Sleeve (Selector Shaft) (Requires A4LD.TOOL08).....		1	A4LD.SL01
TOOLS & SERVICE MANUALS				
NI	ATSG 4R44E/55E Rep Manual.	94-ON	1	A4LDE.MAN01
NI	ATSG 5R55E Repair Manual	97-ON	1	5R55E.MAN01
Click here to view special tools for this transmission				